

Excellent Integrated System Limited

Stocking Distributor

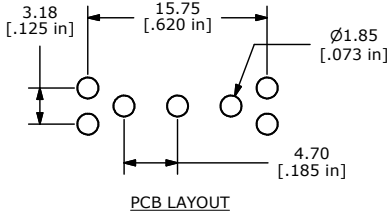
Click to view price, real time Inventory, Delivery & Lifecycle Information:

[E-Switch](#)
[100AWSP3T2B4VS2QE](#)

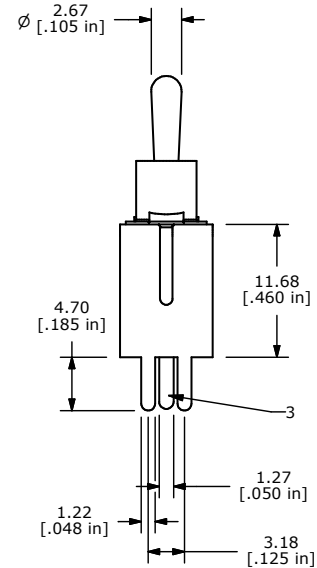
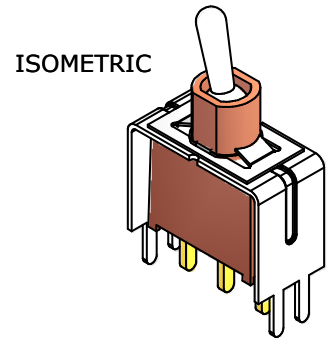
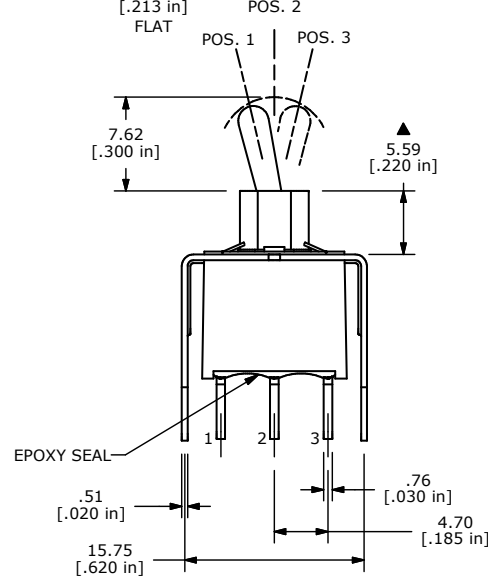
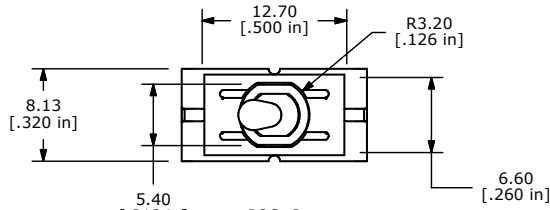
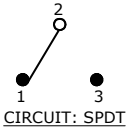
For any questions, you can email us directly:

sales@integrated-circuit.com

SHEET 1 OF 1



SWITCH FUNCTION		
POS. 1	POS. 2	POS. 3
ON	OFF	ON
2-3	OPEN	2-1



- NOTES:
1. ALL DIMENSIONS IN MM [INCH]
 2. GENERAL TOLERANCE: X.X=±0.4 X.XX=±0.25
 3. TERMINAL NUMBERS FOR REF ONLY
 - ▲ 4. PLATING MATERIAL: SILVER
 5. RATING: 5A @ 120 VAC (or 28 VDC) 2 @ 250 VAC
 6. CONTACT RESISTANCE: 100 MILLI-OHM MAX.
 - 7 LIFE EXPECTANCY: 30,000 MAKE-AND-BREAK CYCLES AT FULL LOAD.
 - 8 INSULATION RESISTANCE: 1,000 MEGA-OHM MIN.
 - 9 DIELECTRIC STRENGTH: 1,000 V RMS @SEA LEVEL.
 10. PERATING TEMP.: -30°C to 85°C
 - 11 ▲ DENOTES CRITICAL PARAMETER.
 12. 2002/95/EC (ROHS) COMPLIANT.



B	18546	ACTUATOR HEIGHT DIM TO BE 7.62 mm	6/1/09	BLR
A	18531	RELEASED FOR PRODUCTION	5/28/09	BLR
REV	PCR NO	DESCRIPTION	DATE	BY

TITLE 100AWSP3T2B4VS2QE

SCALE 2:1

DATE 6/1/2009

DR BLR

DWG T102275

REV B

THE INFORMATION CONTAINED IN THIS DOCUMENT IS PROPRIETARY TO E-SWITCH AND IS NOT TO BE COPIED OR TRANSFERRED