

Excellent Integrated System Limited

Stocking Distributor

Click to view price, real time Inventory, Delivery & Lifecycle Information:

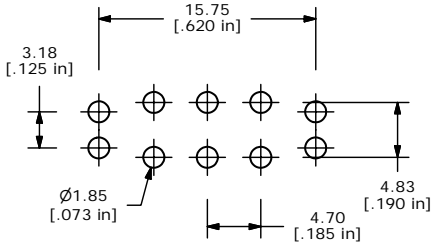
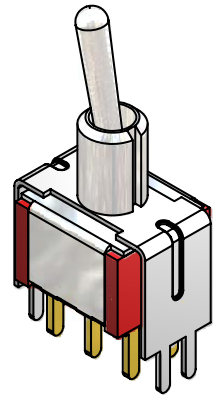
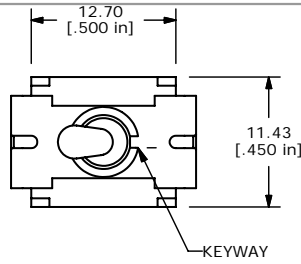
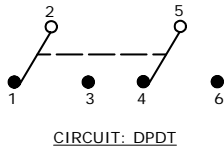
[E-Switch](#)
[100DP3T1B2VS2RE](#)

For any questions, you can email us directly:

sales@integrated-circuit.com

SHEET 1 OF 1

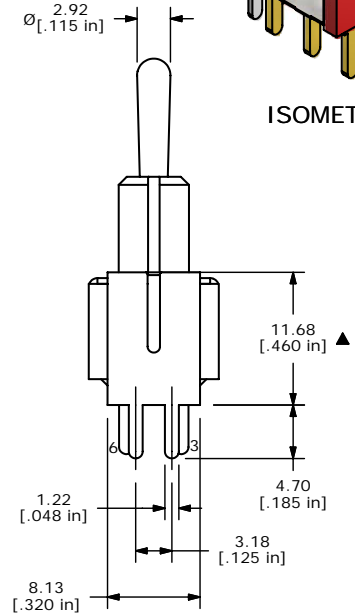
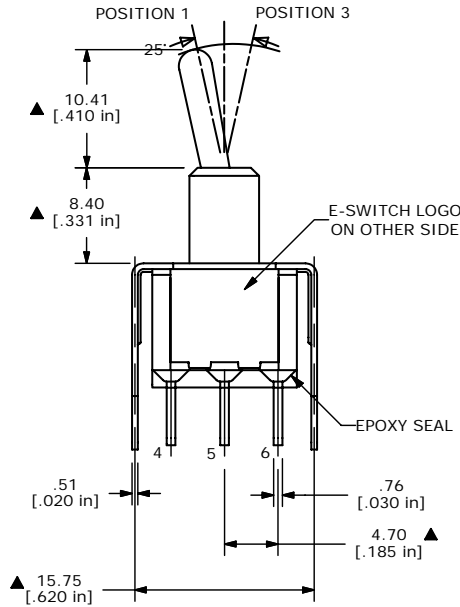
| SWITCH FUNCTION | | |
|-----------------|--------|----------|
| POS. 1 | POS. 2 | POS. 3 |
| | | |
| ON | OFF | ON |
| 2-3, 5-6 | | 2-1, 5-4 |



RECOMMENDED PANEL MOUNTING

NOTES:

1. ALL DIMENSIONS IN MM [INCH]
2. GENERAL TOLERANCE: $x.x \pm 0.4$
 $x.xx \pm 0.25$
3. TERM. NUMBERS FOR REFERENCE ONLY
4. RATING: .4VA MAX. @ 20V MAX AC OR DC.
- ▲ 5. CONTACT MATERIAL: GOLD
6. ELECTRICAL LIFE: 30,000 CYCLES
7. INSULATION RESISTANCE: 1,000M OHM MIN.
8. DIELECTRIC STRENGTH: 1000V RMS @ SEA LEVEL
9. OPERATING TEMP: -30°C to 85°C
10. ▲ DENOTES CRITICAL PARAMETER
11. 2002/95/EC (ROHS) COMPLIANT
- ▲ 12. PACKAGE: TRAY/54 PIECES PER



TITLE 100DP3T1B2VS2RE

| | | | | |
|-----|--------|-------------------------|---------|----|
| A | 17015 | RELEASED FOR PRODUCTION | 2/26/07 | TN |
| REV | PCR NO | DESCRIPTION | DATE | BY |

THE INFORMATION CONTAINED IN THIS DOCUMENT IS PROPRIETARY TO E-SWITCH AND IS NOT TO BE COPIED OR TRANSFERRED

| | | | | |
|-----------|----------------|-------|-------------|-------|
| SCALE 2:1 | DATE 2/26/2007 | DR TN | DWG T121081 | REV A |
|-----------|----------------|-------|-------------|-------|