

## Excellent Integrated System Limited

Stocking Distributor

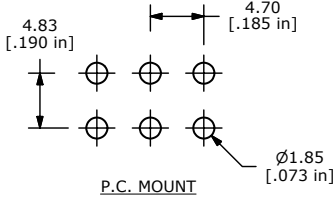
Click to view price, real time Inventory, Delivery & Lifecycle Information:

[E-Switch](#)  
[100DP3T2B3M2QEH](#)

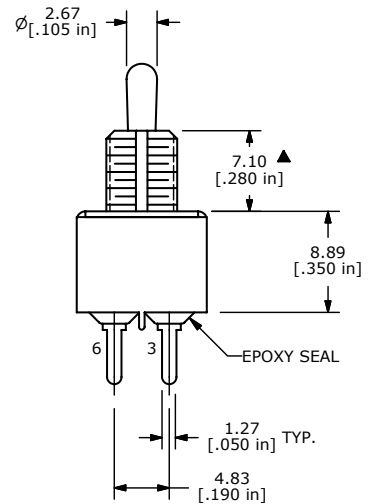
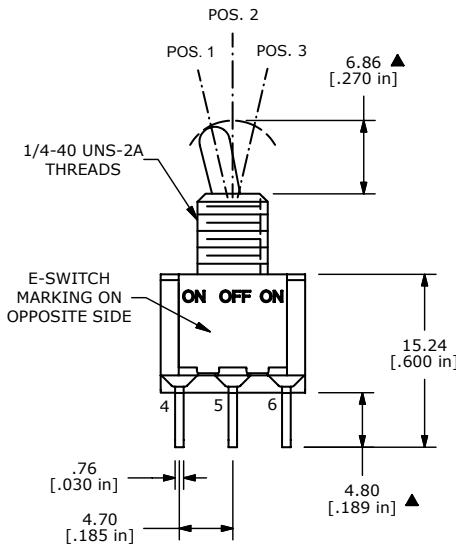
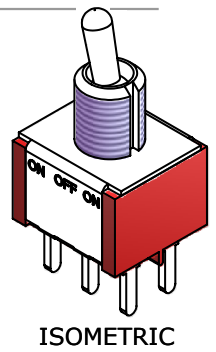
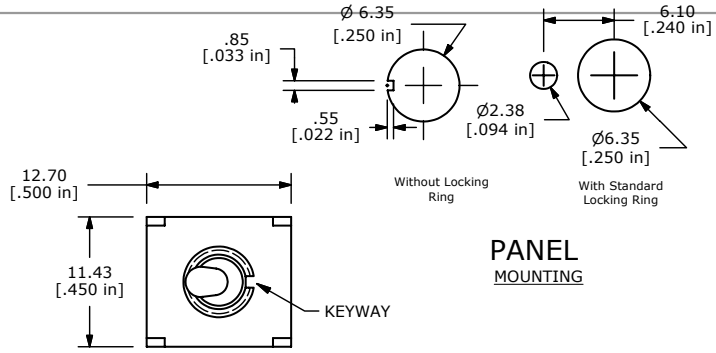
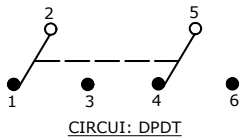
For any questions, you can email us directly:

[sales@integrated-circuit.com](mailto:sales@integrated-circuit.com)

SHEET 1 OF 1



SWITCH FUNCTION		
POS. 1	POS. 2	POS. 3
ON	OFF	ON
2-3 5-6	OPEN	2-1 5-4



- NOTE:
1. ALL DIMENSIONS IN MM [INCH]
  2. GENERAL TOLERANCE: X.X=±0.4 X.XX=±0.25
  3. TERMINAL NUMBERS FOR REF ONLY
  - ▲ 4. PLATING MATERIAL: SILVER
  5. RATING: 2 AMPS @250VAC  
5 AMPS @120VAC OR 28VDC
  6. ELECTRIC LIFE: 40,000 make-and-break cycles at full load.
  7. INSULATION RESISTANCE: 1,000 Mega-ohm min.
  8. DIELECTRIC STRENGTH: 1,000 V RMS @sea level.
  9. OPERATING TEMP.: -30°C to 85°C
  10. ▲ DENOTES CRITICAL PARAMETER.
  11. PACKAGE: V 108 PARTS PER TRAY
  12. 2002/95/EC (ROHS) COMPLIANT
  13. HARDWARE TO BE SHIPPED BULK:  
T100000 HEXNUT - QTY 2  
T100011 LOCKWASHER - QTY 1  
T100015 LOCKRING - QTY 1



A	17965	RELEASED FOR PRODUCTION	2/13/08	BLR	TITLE	100DP3T2B3M2QEH								
REV	PCR NO	DESCRIPTION	DATE	BY	SCALE	2:1	DATE	2/13/2008	DR	BLR	DWG	ST123017	REV	A

THE INFORMATION CONTAINED IN THIS DOCUMENT IS PROPRIETARY TO E-SWITCH AND IS NOT TO BE COPIED OR TRANSFERRED