

Excellent Integrated System Limited

Stocking Distributor

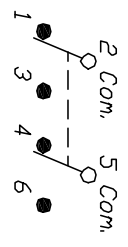
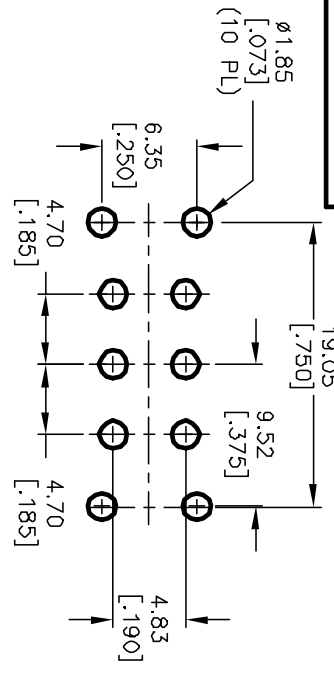
Click to view price, real time Inventory, Delivery & Lifecycle Information:

[E-Switch](#)
[100DP4T6B12VS5QE](#)

For any questions, you can email us directly:

sales@integrated-circuit.com

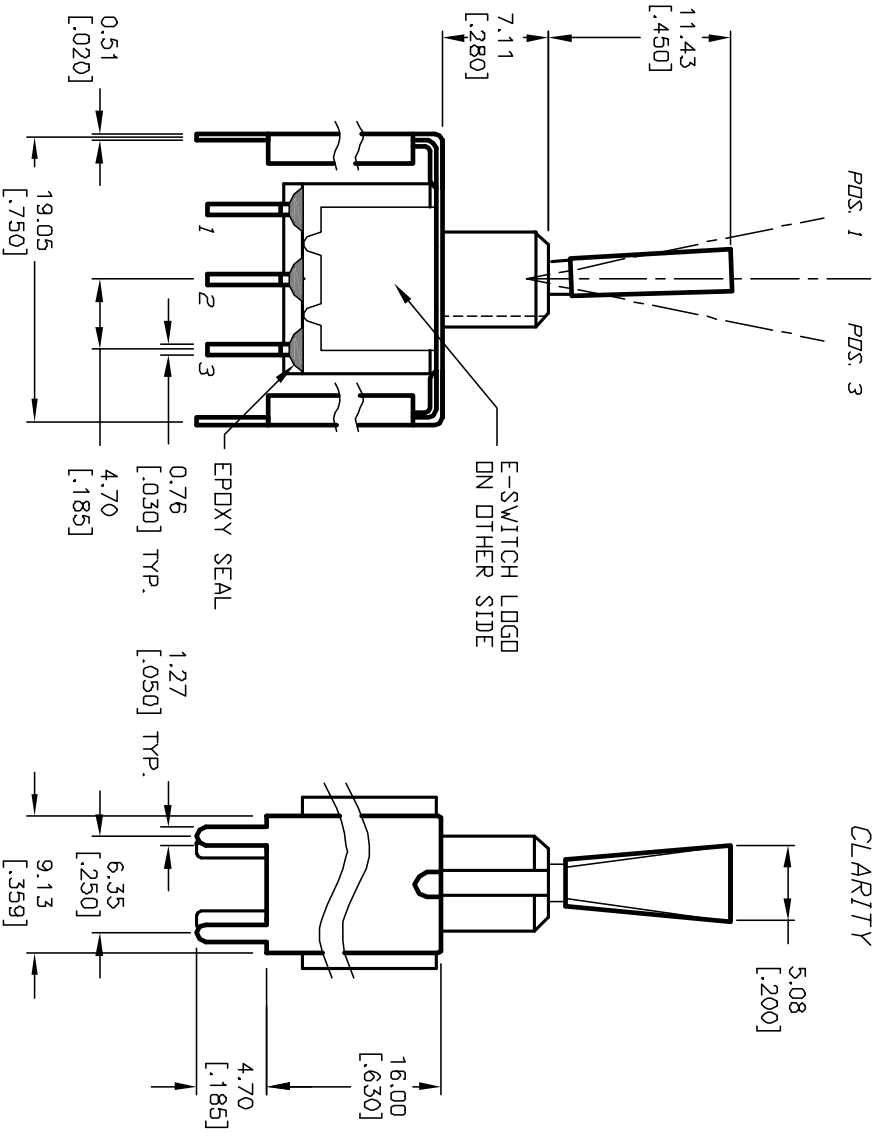
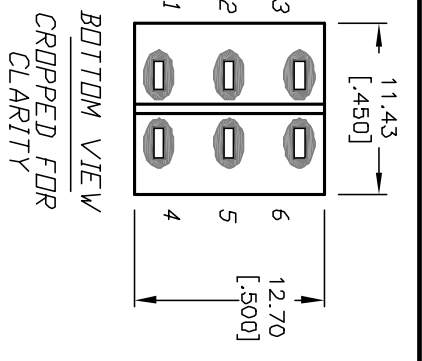
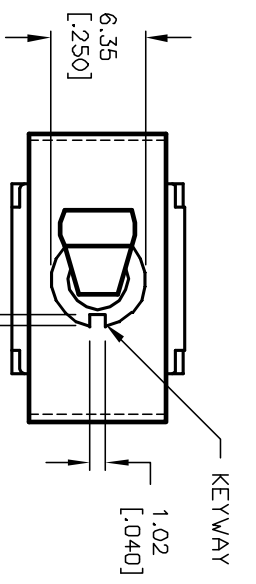
SHEET OF



SWITCH FUNCTION		
PDS. 1	PDS. 2	PDS. 3
<DN>	DFF	<DN>
2-3,5-6	2-3,5-4	2-1,5-4

() = Momentary

- NOTES:
1. ALL DIMENSIONS IN MM [INCH]
 2. GENERAL TOLERANCE: X.X=±0.4 X.XX=±0.25
 3. TERM. NDS. FOR REF. ONLY
 4. RATING: 5A @120VAC OR 28VDC; 2A @250VAC
 5. FIXED TERM. & MOVING CONTACT: Copper Alloy w/Silver Plate.
 6. ELECTRICAL LIFE: 50,000 make-and-break cycles at full load.
 7. INSULATION RESISTANCE: 1,000 ohm min.
 8. DIELECTRIC STRENGTH: 1000V RMS @sec level
 9. OPERATING TEMP.: -30°C to 85°C



REV.	ECN No.	DESCRIPTION	DATE	CHKD
A	12364	RELEASED FOR PRODUCTION	6/19/02	CJB

TITLE	SCALE	DATE	DR	DWG	REV
100 DP-4 T6 B12 VSS Q E	2:1	6/19/02	CJB	T124029	A

E-SWITCH®

THE INFORMATION CONTAINED IN THIS DOCUMENT IS PROPRIETARY TO E-SWITCH AND IS NOT TO BE COPIED OR TRANSMITTED