

Excellent Integrated System Limited

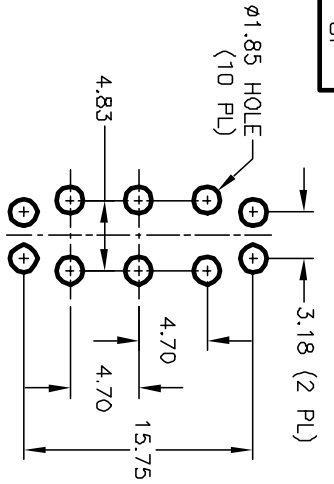
Stocking Distributor

Click to view price, real time Inventory, Delivery & Lifecycle Information:

[E-Switch](#)
[100DP7T1B4VS2RE](#)

For any questions, you can email us directly:

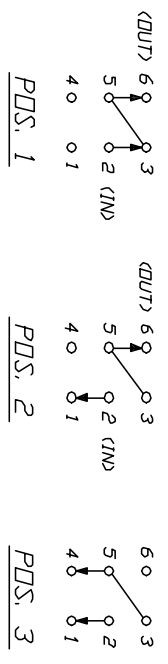
sales@integrated-circuit.com



RECOMMENDED PCB LAYOUT

SWITCH FUNCTION		
POS. 1	POS. 2	POS. 3
2-3-5-6	2-3-5-4	2-1,5-4

() = Momentary

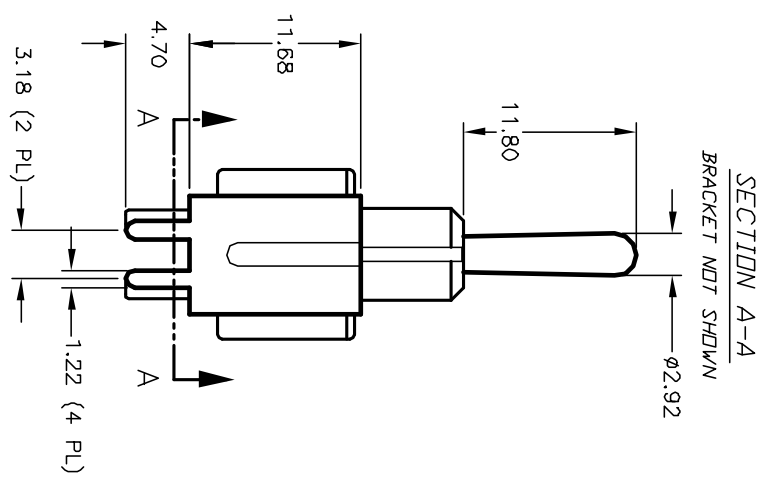
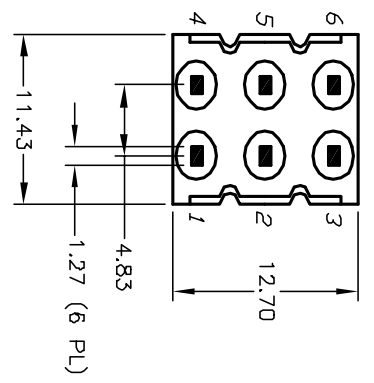
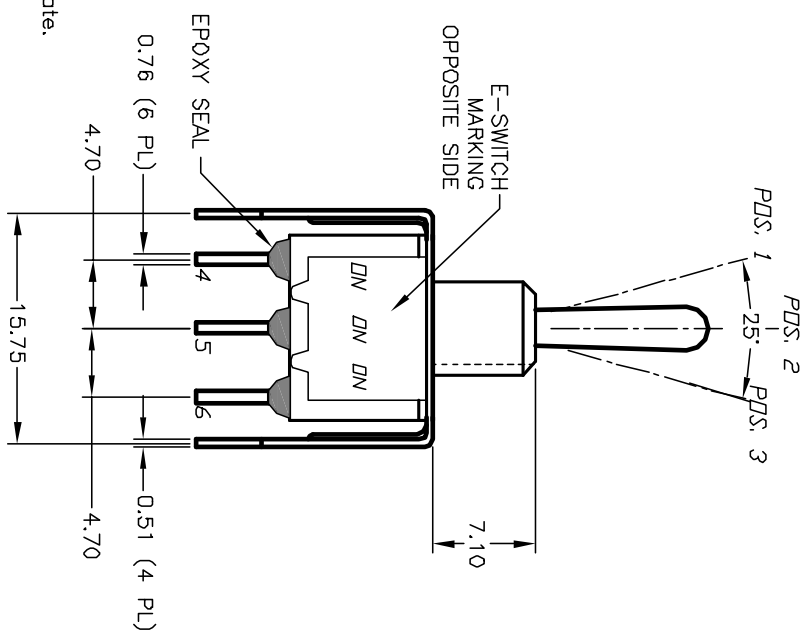
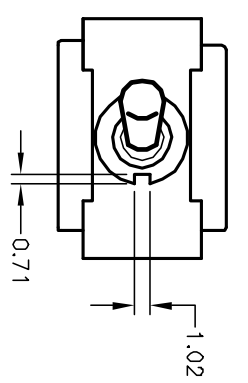


CIRCUIT: DPDT 3-WAY

NOTE: JUMPER PIN 3 TO PIN 5

NOTES:

1. ALL DIMENSIONS IN MM
2. GENERAL TOLERANCE: X.X=±0.4
X.XX=±0.25
3. TERMINAL NUMBERS FOR REF ONLY
4. RATING: 0.4(VA) Max. @20V (AC or DC)
5. FIXED TERM. & MOVING CONTACT: Copper Alloy
w/Gold Plate over Ni plate.
6. ELECTRIC LIFE: 50,000 make-and-break cycles
at full load.
7. INSULATION RESISTANCE: 1,000 Mega-ohm min.
8. DIELECTRIC STRENGTH: 1,000 V RMS @sea level.
9. OPERATING TEMP.: -30°C to 85°C



REV. A	ECN No. 12526	RELEASED	10/28/02	CJB
		DESCRIPTION	DATE	CHKD
THE INFORMATION CONTAINED IN THIS DOCUMENT IS PROPRIETARY TO E-SWITCH AND IS NOT TO BE COPIED OR TRANSMITTED				

TITLE	SCALE	DATE	DR	DWG	REV
100 DP-7 T1 B4 VS2 R E	2:1	10/28/02	CJB	T121736	A

E-SWITCH®