

Excellent Integrated System Limited

Stocking Distributor

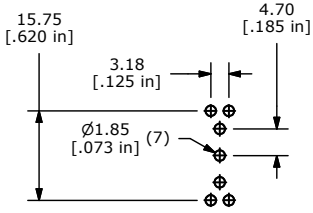
Click to view price, real time Inventory, Delivery & Lifecycle Information:

[E-Switch](#)
[100SP4T2B4VS2RE](#)

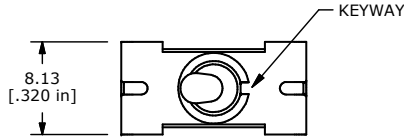
For any questions, you can email us directly:

sales@integrated-circuit.com

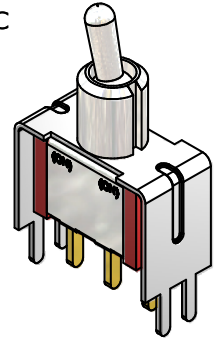
SHEET 1 OF 1



P.C. MOUNTING

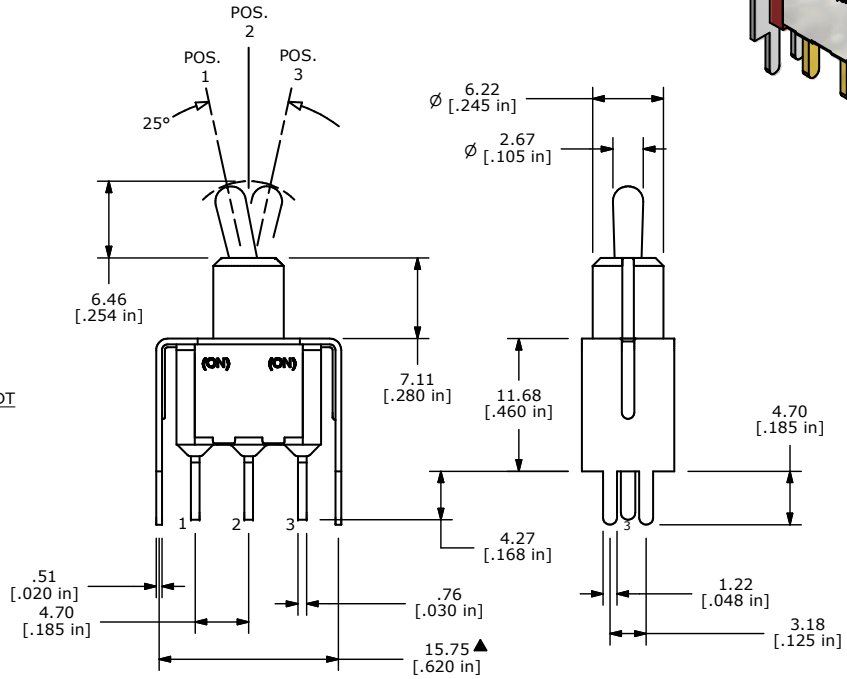
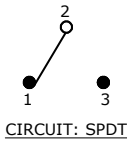


ISOMETRIC



SWITCH FUNCTION		
POS. 1	POS. 2	POS. 3
(ON)	OFF	(ON)
2-3	OPEN	2-1

(ON) = MOMENTARY



- NOTE:
1. ALL DIMENSIONS IN MM [INCH]
 2. GENERAL TOLERANCE: X.X=±0.4
X.XX=±0.25
 3. TERMINAL NUMBERS FOR REF ONLY
 - ▲ 4. PLATING MATERIAL: GOLD
 5. RATING: 0.4A @20V (AC or DC)
 6. CONTACT RESISTANCE: 10 Milli-OHMS MAX.
 7. ELECTRIC LIFE: 40,000 make-and-break cycles at full load.
 8. INSULATION RESISTANCE: 1,000 Mega-OHMS MIN.
 9. DIELECTRIC STRENGTH: 1,000 V RMS @sea level.
 10. OPERATING TEMP.: -30°C to 85°C
 11. ▲ DENOTES CRITICAL PARAMETER.
 12. 2002/95/EC (ROHS) COMPLIANT.

TITLE 100SP4T2B4VS2RE			
SCALE	DATE	DR	DWG
2:1	3/5/2010	BLR	T114051
REV	PCR NO	BY	REV
A	18857	BLR	A

THE INFORMATION CONTAINED IN THIS DOCUMENT IS PROPRIETARY TO E-SWITCH AND IS NOT TO BE COPIED OR TRANSFERRED