

Excellent Integrated System Limited

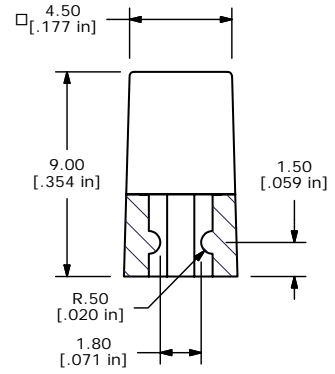
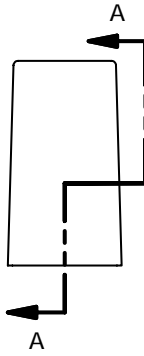
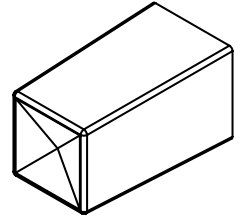
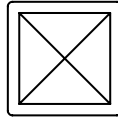
Stocking Distributor

Click to view price, real time Inventory, Delivery & Lifecycle Information:

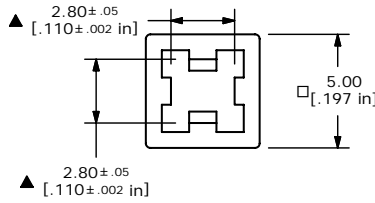
[E-Switch](#)
[1DLGR](#)

For any questions, you can email us directly:

sales@integrated-circuit.com



SECTION A-A
SCALE 4 : 1



NOTES:

1. ALL DIMENSIONS IN MM [INCH]
2. GENERAL TOLERANCE: X.XX=±0.15
3. MATERIAL: ABS, UL94V0
- ▲4. COLOR: LIGHT GRAY, PANTONE 423C
5. ▲ DENOTES CRITICAL PARAMETER.



A	15458	RELEASED FOR PRODUCTION	10/26/05	PH
REV	PCR NO	DESCRIPTION	DATE	BY

TITLE 1DLGR				
SCALE 4:1	DATE 10/26/2005	DR PH	DWG Q800426	REV A

THE INFORMATION CONTAINED IN THIS DOCUMENT IS PROPRIETARY TO E-SWITCH AND IS NOT TO BE COPIED OR TRANSFERRED