

Excellent Integrated System Limited

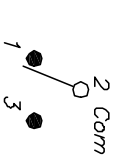
Stocking Distributor

Click to view price, real time Inventory, Delivery & Lifecycle Information:

[E-Switch](#)
[200MSP2T1B1M6QE](#)

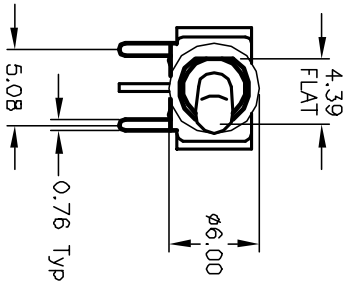
For any questions, you can email us directly:

sales@integrated-circuit.com



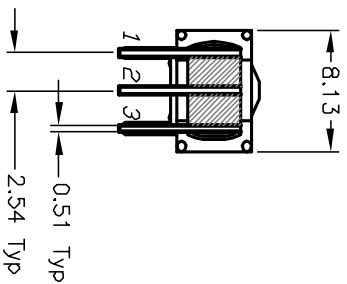
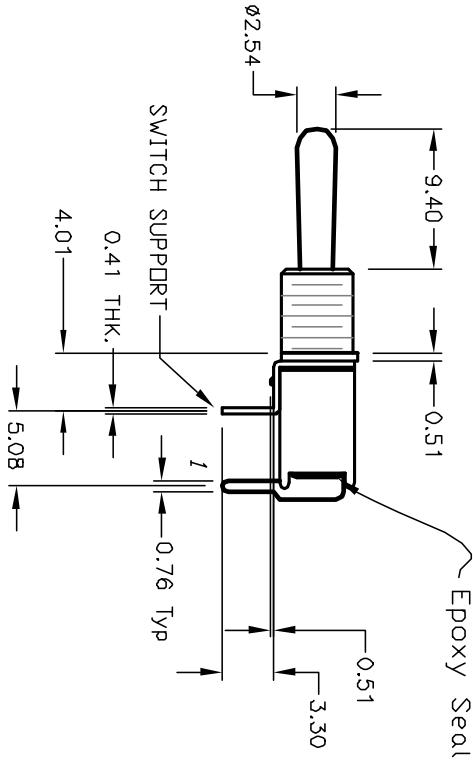
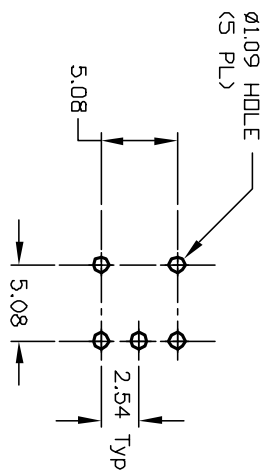
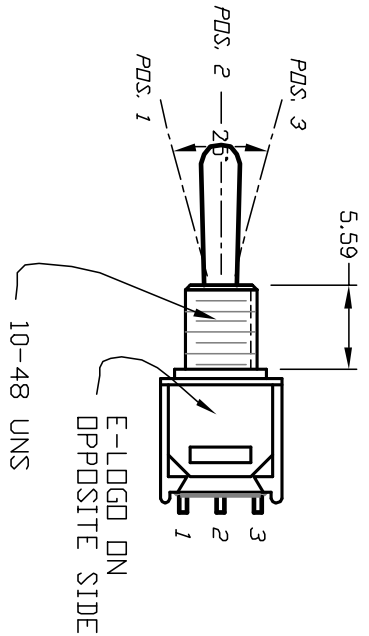
SWITCH FUNCTION		
POS. 1	POS. 2	POS. 3
DN	NONE	COM
2-3	OPEN	2-1

() = Momentary



NOTES:

1. ALL DIMENSIONS IN MM
2. GENERAL TOLERANCE: X.X=±0.4
X.XX=±0.25
3. TERM. NOS. FOR REF. ONLY
4. CONTACT RATING: 3A@ 120VAC, OR 28VDC;
1A@ 250VAC.
5. FIXED TERMINAL & MOVING CONTACT: Cu alloy w/ Silver plate
6. ELECTRIC LIFE: 30,000 make-and-break cycles
at full load.
7. INSULATION RESISTANCE: 1,000 M ohm min.
8. DIELECTRIC STRENGTH: 1,000 V RMS @sea level.
9. OPERATING TEMP.: -30°C to 85°C



REV.	ECN No.	DESCRIPTION	DATE	CHKD
A	12325	RELEASED FOR PRODUCTION	7/23/02	CJB

TITLE	SCALE	DATE	DR	DWG	REV
200 MSP-2 T1 B1 M6 Q E	2:1	7/23/02	CJB	T212022	A

E-SWITCH®

THE INFORMATION CONTAINED IN THIS DOCUMENT IS PROPRIETARY TO E-SWITCH AND IS NOT TO BE COPIED OR TRANSMITTED