

Excellent Integrated System Limited

Stocking Distributor

Click to view price, real time Inventory, Delivery & Lifecycle Information:

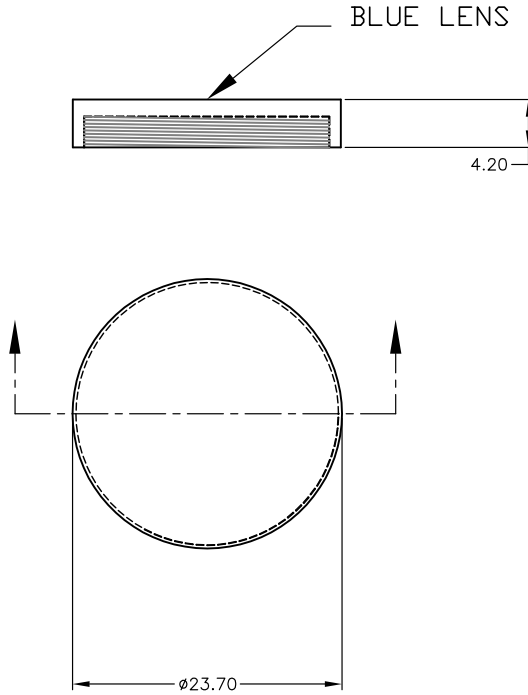
[E-Switch](#)

[29MMBLULENS](#)

For any questions, you can email us directly:

sales@integrated-circuit.com

SHEET OF



NOTES:

1. ALL DIMENSIONS IN MM
2. GENERAL TOLERANCE: X.XX=±0.25
3. MATERIALS: POLYCARBONATE (PC)
- ▲ 4. PACKAGED BETWEEN STYROFOAM TO ELIMINATE DEFECTS

E-SWITCH®

B	13838	REMOVE TABLE	3/16/04	AR
A	12637	RELEASED FOR PRODUCTION	2/4/02	CJB
REV.	ECN No.	DESCRIPTION	DATE	CHKD

TITLE				
29MM BLU LENS				
SCALE	DATE	DR	DWG	REV
2:1	2/4/02	CJB	F060211	B

THE INFORMATION CONTAINED IN THIS DOCUMENT IS PROPRIETARY TO E-SWITCH AND IS NOT TO BE COPIED OR TRANSFERRED