

## Excellent Integrated System Limited

Stocking Distributor

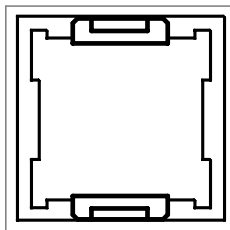
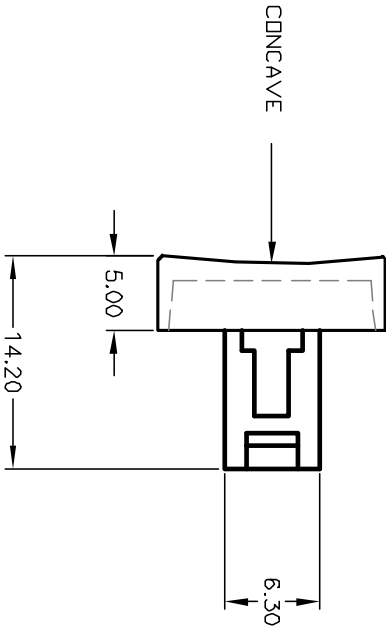
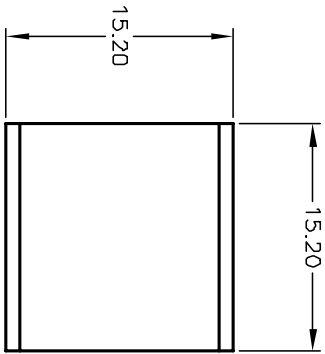
Click to view price, real time Inventory, Delivery & Lifecycle Information:

[E-Switch](#)

[5000301TRANSPARENTLENS](#)

For any questions, you can email us directly:

[sales@integrated-circuit.com](mailto:sales@integrated-circuit.com)



NOTES:

1. ALL DIMENSIONS IN MM [INCH]
2. GENERAL TOLERANCE: X.XX=±0.3
3. INSERT: TRANSPARENT
4. LENS COLOR: BLUE

REV.	ECN No.	DESCRIPTION	DATE	CHKD
B	12707	REVISED AND REDRAWN	1/8/03	CB
<small>THE INFORMATION CONTAINED IN THIS DOCUMENT IS PROPRIETARY TO E-SWITCH AND IS NOT TO BE COPIED OR TRANSMITTED</small>				

TITLE		50-003-01 (TRANSPARENT)		DR	DR	DWG	F050301	REV	B
SCALE	2:1	DATE	--	DATE	--	DATE	--	DATE	--
