

Excellent Integrated System Limited

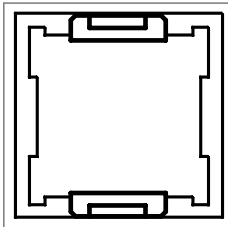
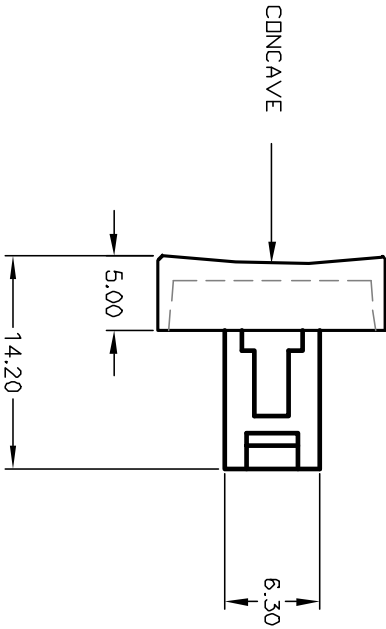
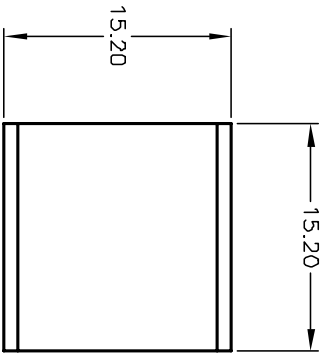
Stocking Distributor

Click to view price, real time Inventory, Delivery & Lifecycle Information:

[E-Switch](#)
[5000303OPAQUELENS](#)

For any questions, you can email us directly:

sales@integrated-circuit.com



NOTES:

1. ALL DIMENSIONS IN MM [INCH]
2. GENERAL TOLERANCE: X.XX=±0.3
3. INSERT: OPAQUE
4. LENS COLOR: ORANGE

REV.	ECN No.	DESCRIPTION	DATE	CHKD
A	12707	RELEASED	1/8/03	CB

TITLE		50-003-03 (OPAQUE)	
SCALE	DATE	DR	REV
2:1	--	--	A
E-SWITCH®		JWG	F052303

THE INFORMATION CONTAINED IN THIS DOCUMENT IS PROPRIETARY TO E-SWITCH AND IS NOT TO BE COPIED OR TRANSMITTED