

Excellent Integrated System Limited

Stocking Distributor

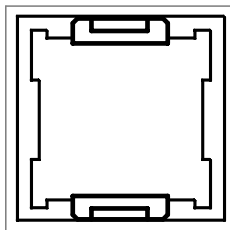
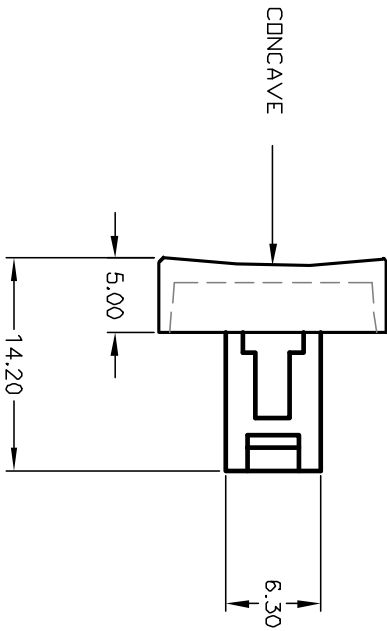
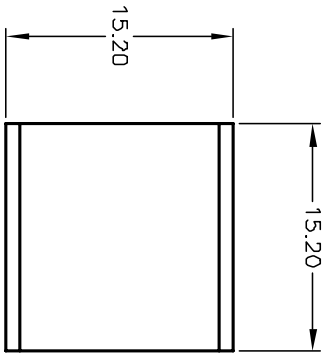
Click to view price, real time Inventory, Delivery & Lifecycle Information:

[E-Switch](#)

[5000303TRANSPARENTLENS](#)

For any questions, you can email us directly:

sales@integrated-circuit.com



NOTES:

1. ALL DIMENSIONS IN MM [INCH]
2. GENERAL TOLERANCE: X.XX=±0.3
3. INSERT: TRANSPARENT
4. LENS COLOR: ORANGE

REV.	ECN No.	DESCRIPTION	DATE	CHKD
B	12707	REVISED AND REDRAWN	1/8/03	CB

TITLE		50-003-03 (TRANSPARENT)		REV B	
SCALE		2:1		DR --	
DATE		--		DWG F050303	
DATE		--		REV B	

E-SWITCH®

THE INFORMATION CONTAINED IN THIS DOCUMENT IS PROPRIETARY TO E-SWITCH AND IS NOT TO BE COPIED OR TRANSMITTED