

Excellent Integrated System Limited

Stocking Distributor

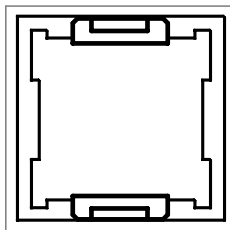
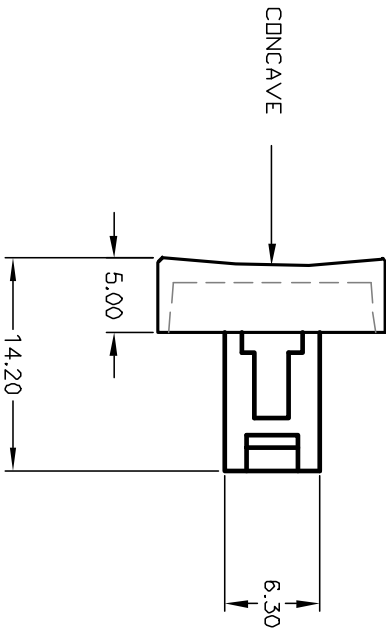
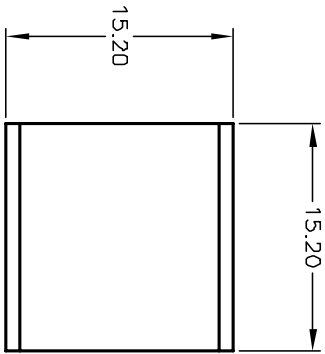
Click to view price, real time Inventory, Delivery & Lifecycle Information:

[E-Switch](#)

[5000305TRANSPARENTLENS](#)

For any questions, you can email us directly:

sales@integrated-circuit.com



NOTES:

1. ALL DIMENSIONS IN MM [INCH]
2. GENERAL TOLERANCE: X.XX=±0.3
3. INSERT: TRANSPARENT
4. LENS COLOR: WHITE

REV.	ECN No.	DESCRIPTION	DATE	CHKD
B	12707	REVISED AND REDRAWN	1/8/03	CB

TITLE		50-003-05 (TRANSPARENT)		DR		DWG		REV	
SCALE		2:1		DATE		---		B	
		E-SWITCH®				F050305			

THE INFORMATION CONTAINED IN THIS DOCUMENT IS PROPRIETARY TO E-SWITCH AND IS NOT TO BE COPIED OR TRANSMITTED