

## Excellent Integrated System Limited

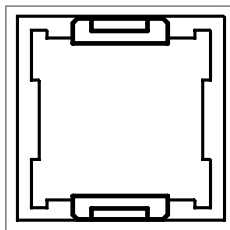
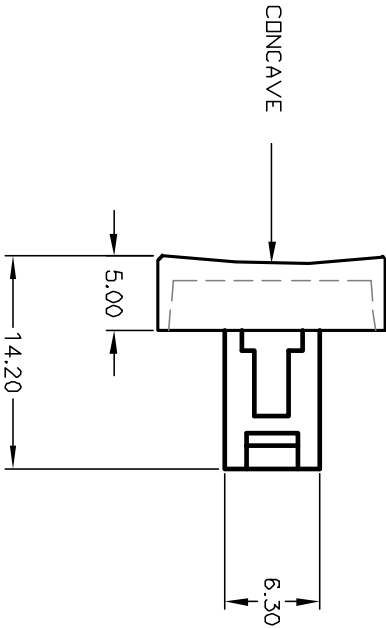
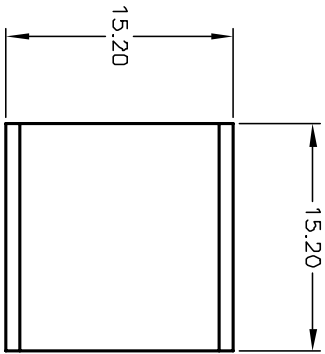
Stocking Distributor

Click to view price, real time Inventory, Delivery & Lifecycle Information:

[E-Switch](#)  
[5000306OPAQUELENS](#)

For any questions, you can email us directly:

[sales@integrated-circuit.com](mailto:sales@integrated-circuit.com)



NOTES:

1. ALL DIMENSIONS IN MM [INCH]
2. GENERAL TOLERANCE: X.XX=±0.3
3. INSERT: OPAQUE
4. LENS COLOR: YELLOW

REV.	ECN No.	DESCRIPTION	DATE	CHKD
A	12707	RELEASED	1/8/03	CB
<small>THE INFORMATION CONTAINED IN THIS DOCUMENT IS PROPRIETARY TO E-SWITCH AND IS NOT TO BE COPIED OR TRANSMITTED</small>				

TITLE		50-003-06 (OPAQUE)	
SCALE	DATE	DR	DWG
2:1	--	--	F052306
			REV
			A

**E-SWITCH®**