

## Excellent Integrated System Limited

Stocking Distributor

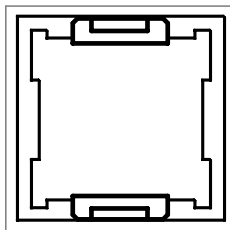
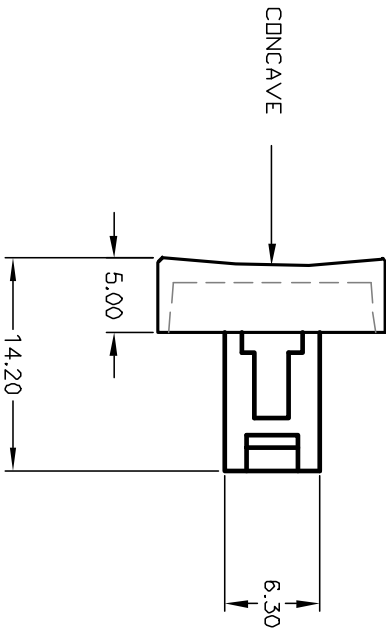
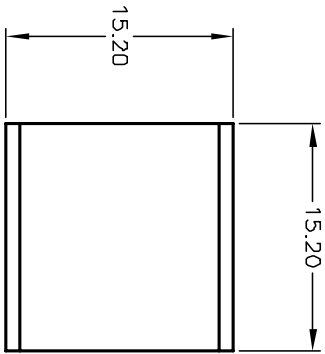
Click to view price, real time Inventory, Delivery & Lifecycle Information:

[E-Switch](#)

[5000306TRANSPARENTLENS](#)

For any questions, you can email us directly:


[sales@integrated-circuit.com](mailto:sales@integrated-circuit.com)



NOTES:

1. ALL DIMENSIONS IN MM [INCH]
2. GENERAL TOLERANCE: X.XX=±0.3
3. INSERT: TRANSPARENT
- ▲ 4. LENS COLOR: YELLOW

REV.	ECN No.	DESCRIPTION	DATE	CHKD
A	12707	RELEASED	1/8/03	CB
<small>THE INFORMATION CONTAINED IN THIS DOCUMENT IS PROPRIETARY TO E-SWITCH AND IS NOT TO BE COPIED OR TRANSMITTED</small>				

	
TITLE	50-003-06 (TRANSPARENT)
SCALE	2:1
DATE	-- --
DR	--
DWG	F050306
REV	A