

Excellent Integrated System Limited

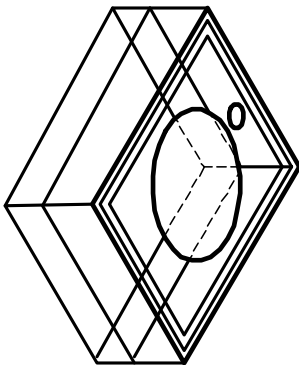
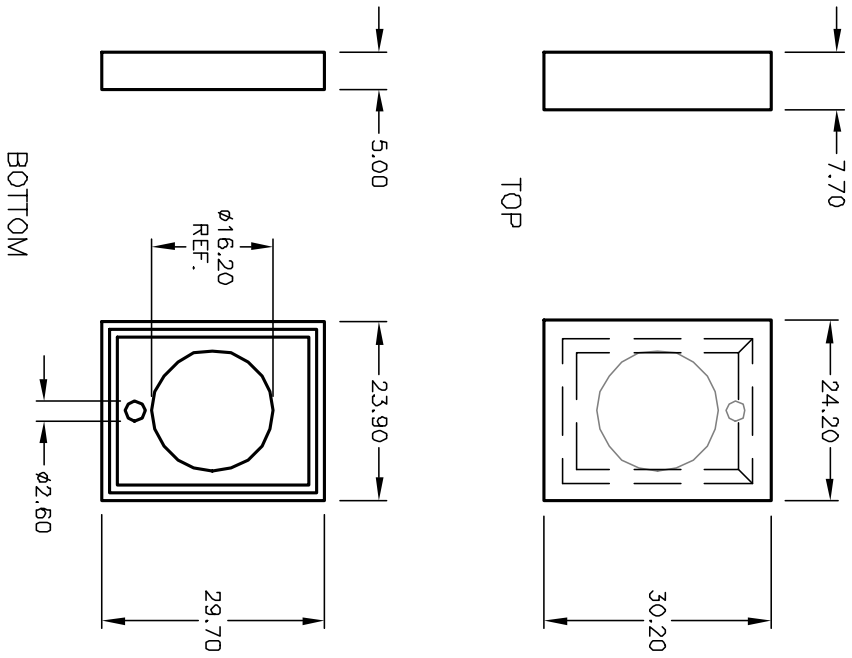
Stocking Distributor

Click to view price, real time Inventory, Delivery & Lifecycle Information:

[E-Switch](#)
[5001001IP65SPRAYCOVER](#)


For any questions, you can email us directly:

sales@integrated-circuit.com



NOTES:

1. ALL DIMENSIONS IN MM
2. GENERAL TOLERANCE: X.XX=±0.25
3. MATERIALS: PLASTIC

A		RELEASED FOR PRODUCTION		TITLE		 E-SWITCH®			
REV.	ECN No.	DESCRIPTION	DATE	CHKD	SCALE				
--	--	THE INFORMATION CONTAINED IN THIS DOCUMENT IS PROPRIETARY TO E-SWITCH AND IS NOT TO BE COPIED OR TRANSMITTED	--	--	2:1	--	--	F051001	A
		50-010-01 (SPRAY COVER)							