

Excellent Integrated System Limited

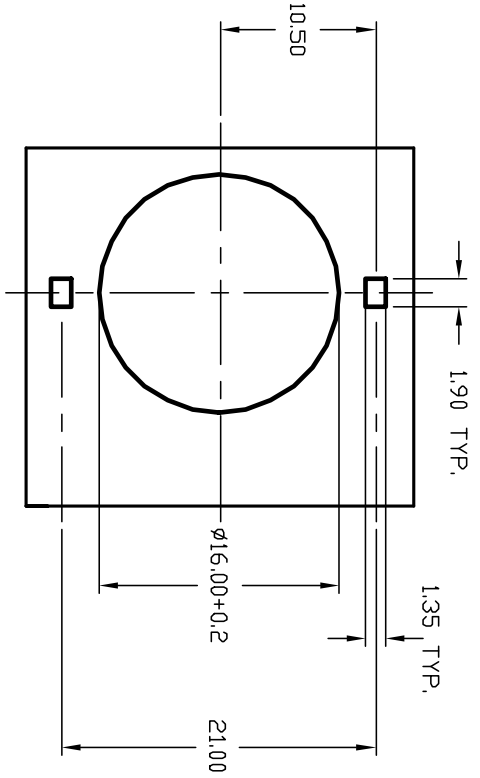
Stocking Distributor

Click to view price, real time Inventory, Delivery & Lifecycle Information:

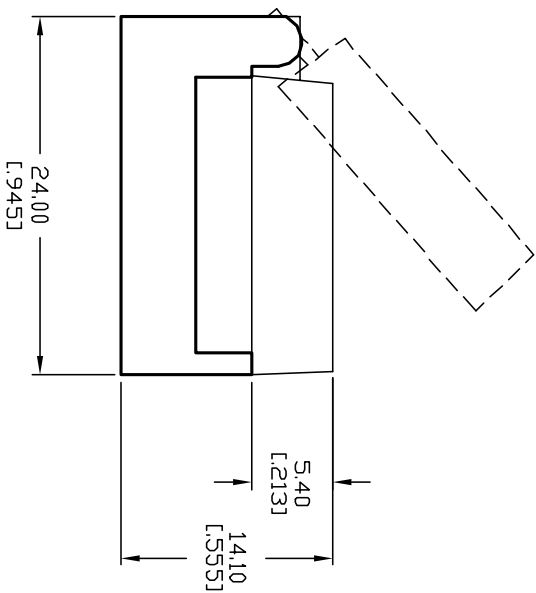
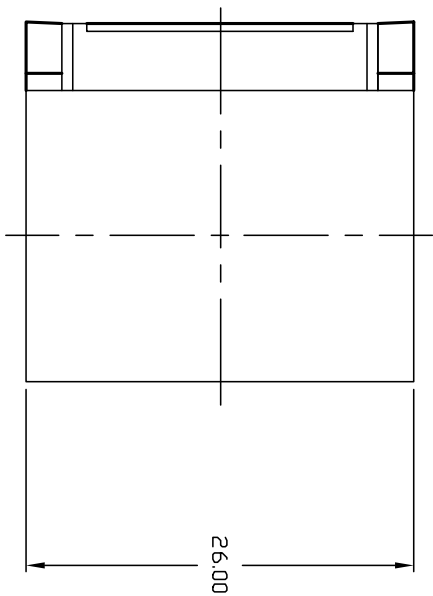
[E-Switch](#)
[5001102PROTECTIONCAP](#)

For any questions, you can email us directly:

sales@integrated-circuit.com



REAR VIEW



- NOTES:
1. ALL DIMENSIONS IN MM
 2. GENERAL TOLERANCE:

REV.	ECN No.	DESCRIPTION	DATE	CHKD
A	12475	RELEASED FOR PRODUCTION	10/10/02	CJB
THE INFORMATION CONTAINED IN THIS DOCUMENT IS PROPRIETARY TO E-SWITCH AND IS NOT TO BE COPIED OR TRANSMITTED				

TITLE	SCALE	DATE	DR	DWG	REV
50-011-02 (PROTECTIVE CAP) FOR RECTANGULAR HEAD 90°	2:1	--	--	F051102	A
E-SWITCH®					