

Excellent Integrated System Limited

Stocking Distributor

Click to view price, real time Inventory, Delivery & Lifecycle Information:

[E-Switch](#)
[700SP7M3QEAP1BLK](#)

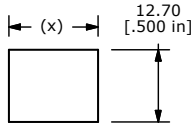
For any questions, you can email us directly:

sales@integrated-circuit.com

SHEET 1 OF 1

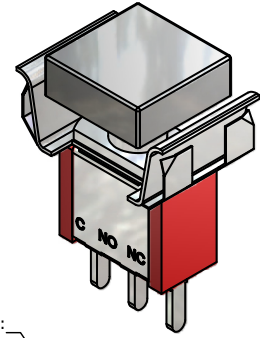
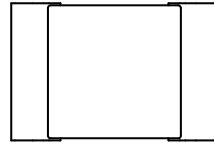
SWITCH FUNCTION	
POS. 1	POS. 2
ON	(ON)
1-3	1-2

(ON)=MOMENTARY

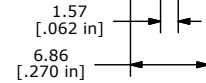
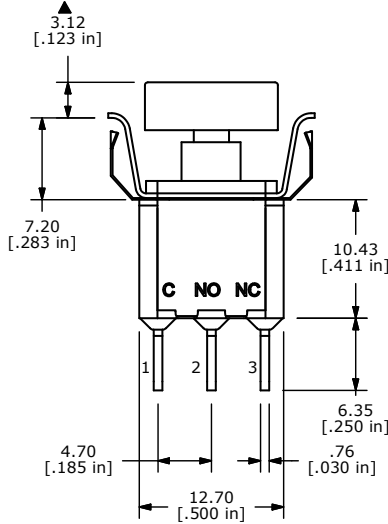
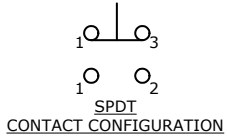


PANEL MOUNTING

THICKNESS	(x) DIM.
1.19 - 2.30	15.70
2.31 - 3.18	15.75 - 15.88



▲ CAP COLOR:
BLACK



- NOTE:
- ALL DIMENSIONS IN MM [INCH]
 - GENERAL TOLERANCE: X.X=±0.4
X.XX=±0.25
 - TERMINAL NUMBERS FOR REF ONLY
 - CONTACT MATERIAL: SILVER PLATED COPPER ALLOY
 - RATING: 1A @ 250VAC
3A @ 120VAC OR 28VDC
 - ELECTRIC LIFE: 50,000 MAKE-AND-BREAK CYCLES AT FULL LOAD
 - INSULATION RESISTANCE: 1,000 MΩ MIN. TYPICAL @ 2-4 VDC
 - ACTUATION FORCE: 300 ± 100gf
 - TRAVEL: 1.0 ± 0.2mm
 - CONTACT RESISTANCE: 20 mΩ MAX. TYPICAL @ 2-4 VDC
 - DIELECTRIC STRENGTH: 1,000 V RMS @ SEA LEVEL.
 - OPERATING TEMP.: -30°C to 85°C
 - ▲ DENOTES CRITICAL PARAMETER.
 - 2002/95/EC (ROHS) COMPLIANT.



TITLE 700SP7M3QEAP1BLK

A	20205	RELEASE FOR PRODUCTION	10/17/10	BGL
REV	PCR NO	DESCRIPTION	DATE	BY

THE INFORMATION CONTAINED IN THIS DOCUMENT IS PROPRIETARY TO E-SWITCH AND IS NOT TO BE COPIED OR TRANSFERRED

SCALE 2:1	DATE 10/17/2011	DR BGL	DWG T711087	REV A
-----------	-----------------	--------	-------------	-------