

## Excellent Integrated System Limited

Stocking Distributor

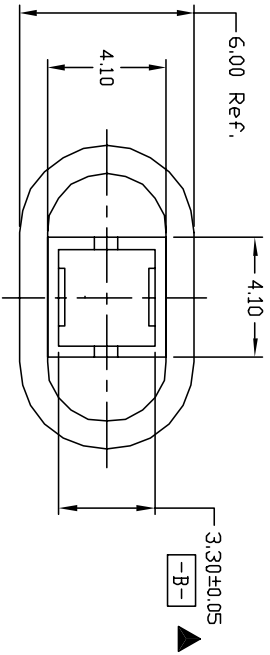
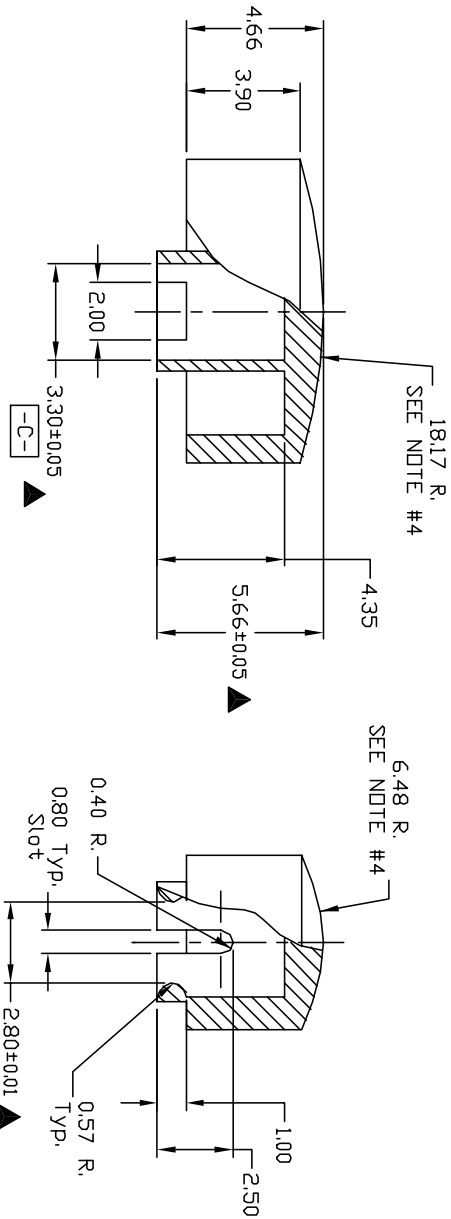
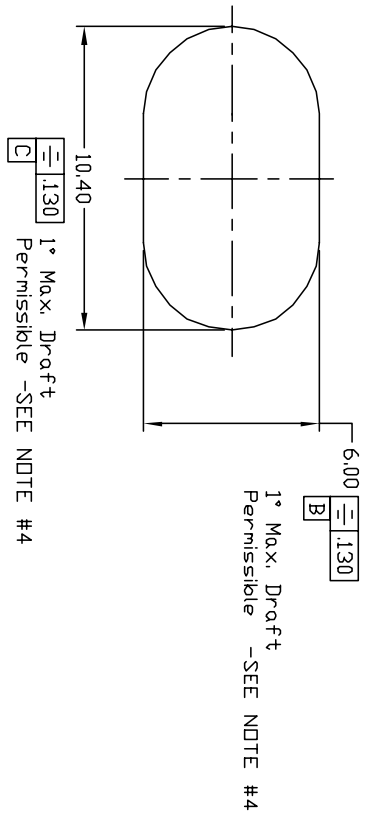
Click to view price, real time Inventory, Delivery & Lifecycle Information:

[E-Switch](#)  
[8JBLK](#)

For any questions, you can email us directly:

[sales@integrated-circuit.com](mailto:sales@integrated-circuit.com)

SHEET OF



- NOTES:
1. ALL DIMENSIONS IN MM
  2. GENERAL TOLERANCE: 0.0±0.4  
0.00±0.25
  3. DESIGNATE MAJOR DIMENSIONS.
  4. SURFACE FINISH: EDM-MATTE FINISH
  5. MUST FIT 3.3x3.3 STEM

REV.	A	ECN No.	10377	DESCRIPTION	RELEASED FOR PRODUCTION	DATE	CHKD	TITLE	SCALE	DATE	DR	DWG	REV
								8J OVAL BUTTON BLK.	4:1	10/6/99	MM	P080000	A
<p>THE INFORMATION CONTAINED IN THIS DOCUMENT IS PROPRIETARY TO E-SWITCH AND IS NOT TO BE COPIED OR TRANSMITTED</p> <p style="text-align: center;"><b>E-SWITCH®</b></p>													