

Excellent Integrated System Limited

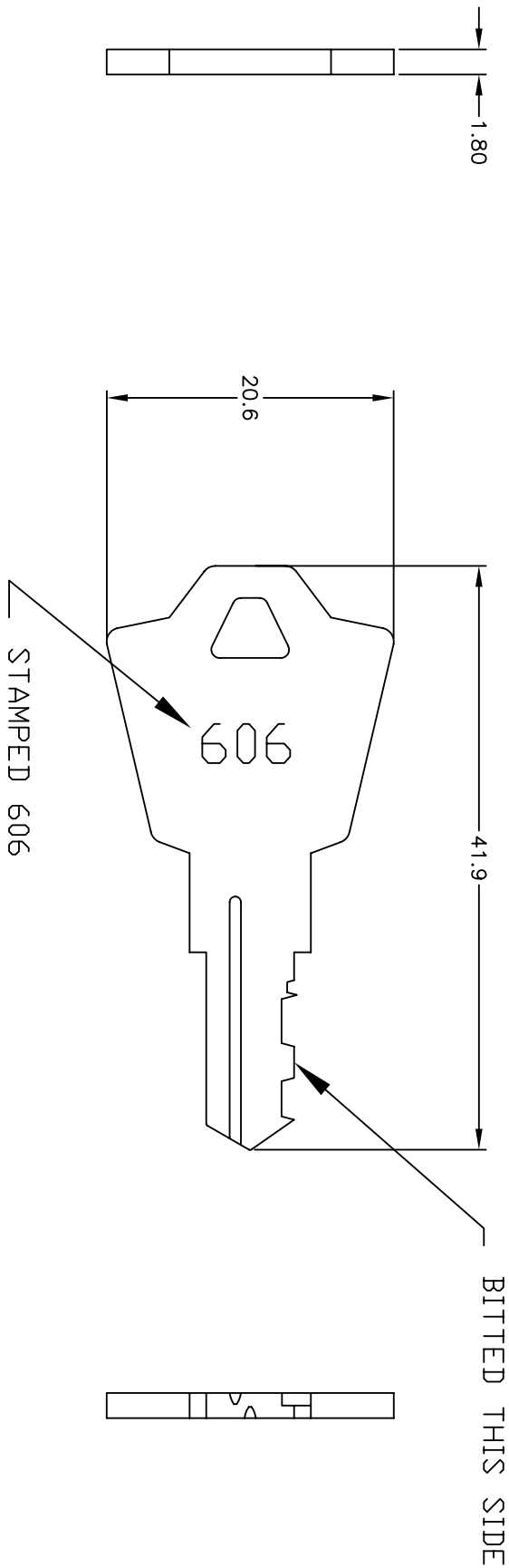
Stocking Distributor

Click to view price, real time Inventory, Delivery & Lifecycle Information:

[E-Switch](#)
[KOKEY606](#)

For any questions, you can email us directly:

sales@integrated-circuit.com



NOTES:

1. ALL DIMENSIONS IN MM
2. GENERAL TOLERANCE: X.X=±0.4
X.XX=±0.25
3. MATERIAL: ZINC ALLOY W/NICKLE PLATE.

REV.	ECN No.	DESCRIPTION	DATE	CHKD
A	11769	RELEASED FOR PRODUCTION	10/22/01	CB

TITLE		K0 KEY 606	
SCALE	DATE	DR	DWG
2:1	10/22/01	CJB	K900007
REV		A	

E-SWITCH®

THE INFORMATION CONTAINED IN THIS DOCUMENT IS PROPRIETARY TO E-SWITCH AND IS NOT TO BE COPIED OR TRANSFERRED