

Excellent Integrated System Limited

Stocking Distributor

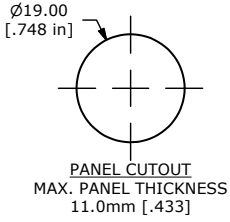
Click to view price, real time Inventory, Delivery & Lifecycle Information:

[E-Switch](#)
[PV4F2G0SS-335](#)

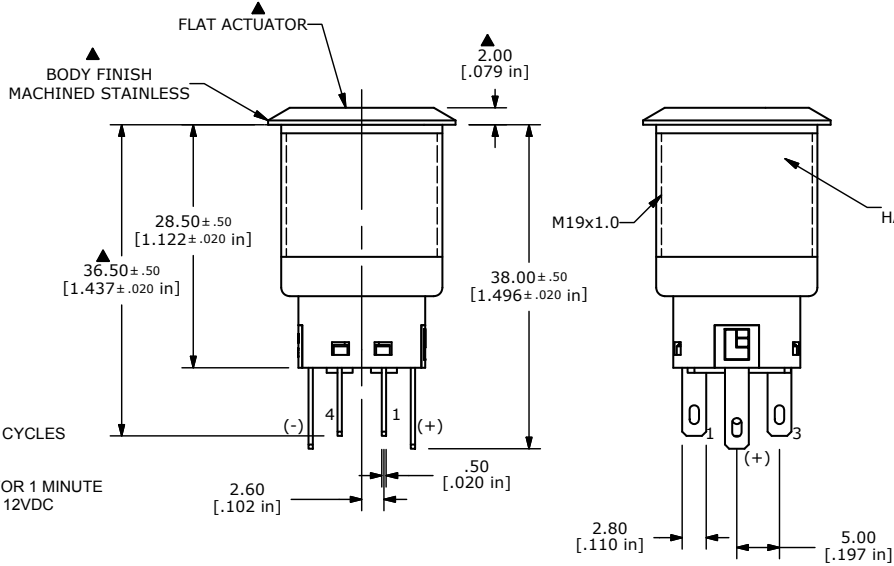
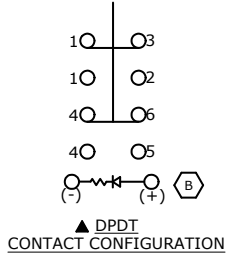
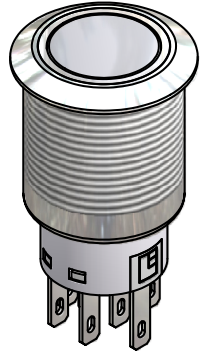
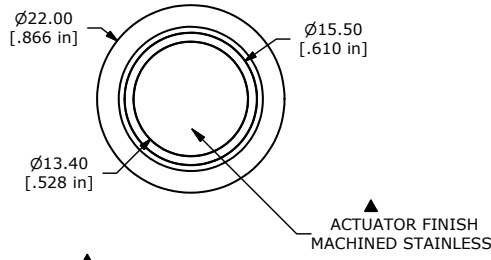
For any questions, you can email us directly:

sales@integrated-circuit.com

SHEET 1 OF 1



SWITCH FUNCTION	
POS. 1	POS. 2
ON	ON
1-3, 4-6	1-2, 4-5



- NOTE:
- ALL DIMENSIONS IN MM [INCH]
 - GENERAL TOLERANCE: X.X=±0.4 X.XX=±0.25
 - TERMINAL NUMBERS FOR REF ONLY
 - CONTACT MATERIAL: SILVER
 - RATING: 2A 48VDC
 - ELECTRIC LIFE: 50,000 MAKE-AND-BREAK CYCLES AT FULL LOAD.
 - INSULATION RESISTANCE: 1,000 MΩ MIN.
 - DIELECTRIC STRENGTH: 2,000 VAC MIN. FOR 1 MINUTE
 - CONTACT RESISTANCE: 50mΩ MAX. @ 1A 12VDC
 - OPERATING TEMP.: -20°C to 55°C
 - TRAVEL: 2.8mm
 - ▲ DENOTES CRITICAL PARAMETER.
 - LAMP VOLTAGE: 24V
 - INGRESS PROTECTION: IP65
 - HARDWARE SUPPLIED: O-RING AND HEXNUT
 - ILLUMINATION COLOR: GREEN

B	20301	ADD LED TO CONTACT CONFIG.	11/22/11 BMA
A	20247	RELEASE FOR PRODUCTION	11/2/11 BGL
REV	PCR NO	DESCRIPTION	DATE BY
TITLE PV4F2G0SS-335			
SCALE	1.5:1	DATE	11/2/2011
DR	BGL	DWG	52-PV4F2G0SS335
REV	B		

THE INFORMATION CONTAINED IN THIS DOCUMENT IS PROPRIETARY TO E-SWITCH AND IS NOT TO BE COPIED OR TRANSFERRED