

Excellent Integrated System Limited

Stocking Distributor

Click to view price, real time Inventory, Delivery & Lifecycle Information:

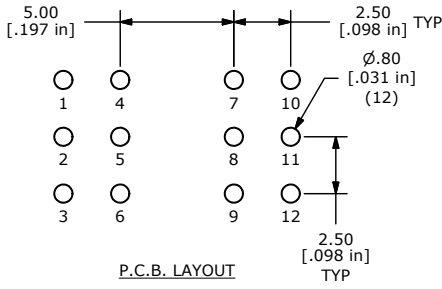
[E-Switch](#)

[TL4201EEYB](#)

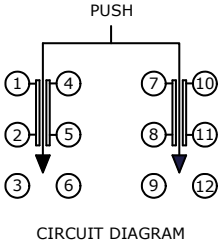
For any questions, you can email us directly:

sales@integrated-circuit.com

SHEET 1 OF 1



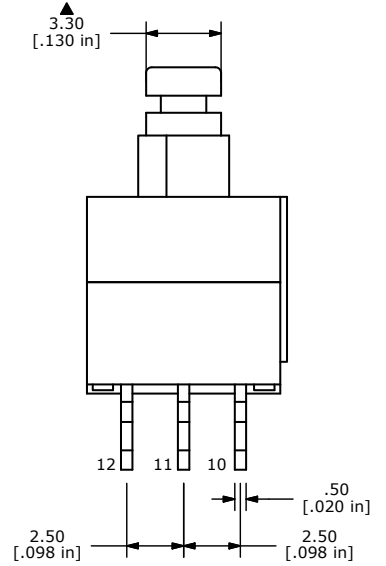
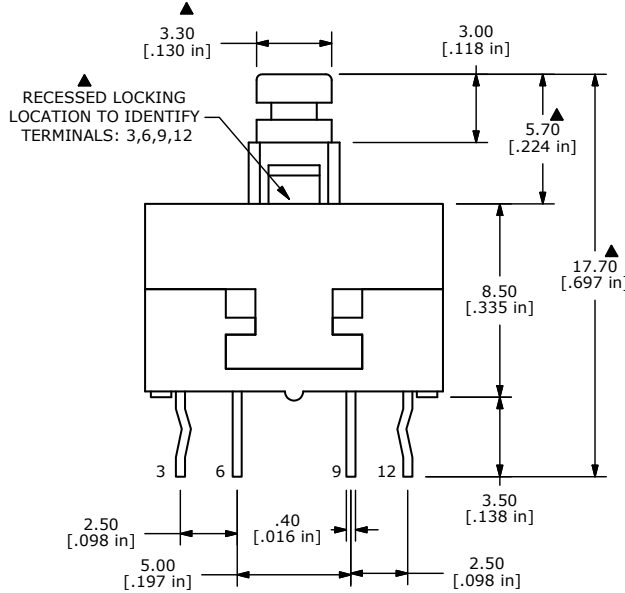
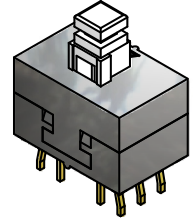
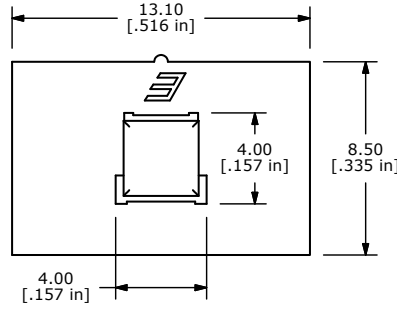
P.C.B. LAYOUT



| SWITCH FUNCTION | |
|----------------------|----------------------|
| POS. 1 | POS. 2 |
| | |
| ON | ON |
| 1-2,4-5 7-8,10-11 | 2-3,5-6 8-9,11-12 |

NOTES:

1. ALL DIMENSIONS IN MM [INCH]
2. GENERAL TOLERANCE: X.X=±0.4
X.XX=±0.25
3. TERMINAL NUMBERS FOR REF. ONLY
4. RATING: 0.1A @ 30VDC
- ▲ 5. TRAVEL: FULL = 2.5mm, LOCK = 1.5mm
- ▲ 6. OPERATING FORCE: 300gf ± 70gf
7. ELECTRICAL LIFE: 10,000 CYCLES
8. ▲ DENOTES CRITICAL PARAMETER
9. CONTACT MATERIAL: SILVER
10. 2002/95/EC (RoHS) COMPLIANT
11. INSULATION RESISTANCE: 100 MΩ MIN.
12. DIELECTRIC STRENGTH: 500 VAC
13. OPERATING TEMPERATURE: -30°C TO +85°C



TITLE TL4201EEYB

| | | | | |
|-----|--------|----------------|---------|-----|
| B | 19691 | DRAWING UPDATE | 2/18/11 | BGL |
| REV | PCR NO | DESCRIPTION | DATE | BY |

THE INFORMATION CONTAINED IN THIS DOCUMENT IS PROPRIETARY TO E-SWITCH AND IS NOT TO BE COPIED OR TRANSFERRED

| | | | | |
|-----------|----------------|--------|-------------|-------|
| SCALE 4:1 | DATE 2/18/2011 | DR BGL | DWG P010902 | REV B |
|-----------|----------------|--------|-------------|-------|