

Excellent Integrated System Limited

Stocking Distributor

Click to view price, real time Inventory, Delivery & Lifecycle Information:

[Knowles](#)

[BK-21839-000](#)

For any questions, you can email us directly:

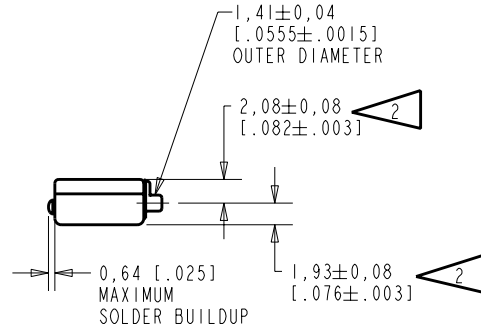
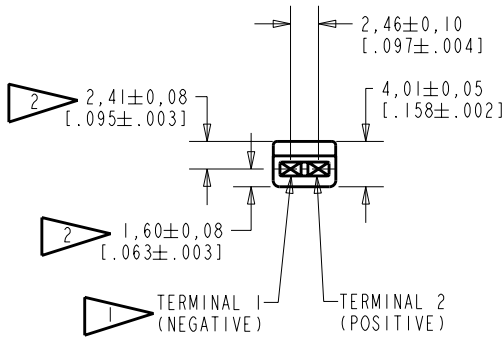
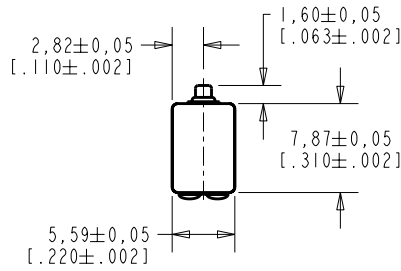
sales@integrated-circuit.com

BK-21839-000

SHT 1.1

NOTES:

- 1 A POSITIVE GOING VOLTAGE AT TERMINAL 2, RELATIVE TO TERMINAL 1, CAUSES A DECREASE IN PRESSURE AT THE SOUND OUTLET.
- 2 LOCATED FROM TWO SURFACES FOR CUSTOMER CONVENIENCE. ONLY APPLICABLE FROM ONE SURFACE, NOT TO BE USED TOGETHER. HORIZONTAL LOCATION FOR TERMINAL CENTERED TO $\pm 0,17$ [.007].



NOMINAL WEIGHT
.66 GRAM

DIMENSIONS IN MILLIMETERS [INCHES]

Revision	C.O. #	Implementation Date	RELEASE LEVEL	REVISION
A	C10103338	11-4-05	Released	A

KNOWLES ELECTRONICS
ITASCA, ILLINOIS U.S.A.

SCALE:	2:1		DR. BY	DATE
	DO NOT SCALE DRAWING		MMM	11-4-05
TITLE:	RECEIVER	BK-21839-000	CK. BY	DATE
	OUTLINE DRAWING	SHT 1.1	GJP	11-8-05
			APP. BY	DATE
			GJP	11-8-05

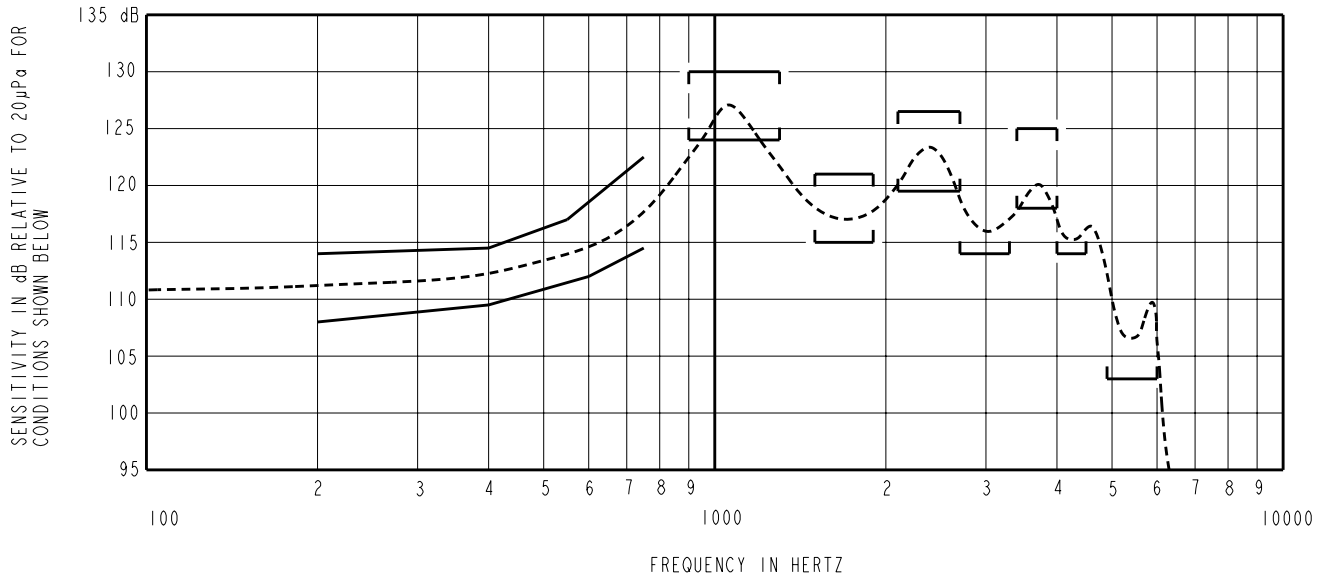
KE111ASIZE.FRM

Rev: B

NO DAMPING

BK-21839-000

SHEET 2.1



NOTES:

1. MEASUREMENTS MADE USING 8mm (.315") X 1mm (.039") ID + 28mm (1.10") X 1.5mm (.059") ID EAR HOOK SIMULATOR INTO 25mm (.984") OF 2mm (.079") ID TUBE + 18mm (.709") OF 3mm (.118") ID TUBE + 2 CM³ CAVITY (AS IEC 126). (T-2607 AND B & K DB0138).

2. SENSITIVITY

FREQUENCY	MIN.	MAX.
200	108.0	114.0
400	109.5	114.5
550	---	117.0
600	112.0	---
750	114.5	122.5
900-1300	124.0	130.0
1500-1900	115.0	121.0
2100-2700	119.5	126.5
2700-3300	114.0	---
3400-4000	118.0	125.0
4000-4500	114.0	---
4900-6000	103.0	---

3. RESPONSE, IMPEDANCE, AND DISTORTION MEASUREMENTS MADE USING THE ELECTRICAL TEST CONDITIONS SHOWN BELOW.

4. ELECTRICAL SOURCE IMPEDANCE MUST BE "EQUAL TO NOMINAL" 1KHz IMPEDANCE FOR TEST CONDITIONS BELOW.

5. INDIVIDUAL SPECIFICATIONS.

PORT LOCATION	IMPEDANCE OHMS ±15%		DCR @20°C OHMS ±10%	DISTORTION		ELECTRICAL TEST CONDITIONS		SOURCE IMPEDANCE OHMS
	1KHz	500Hz		MAX. %	FREQ Hz	AC V RMS	DC mA	
12S	750	380	250	10	500	1.73	1.40	750