



## Excellent Integrated System Limited

Stocking Distributor

Click to view price, real time Inventory, Delivery & Lifecycle Information:

[Molex Connector Corporation](#)

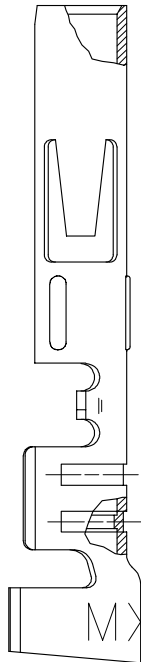
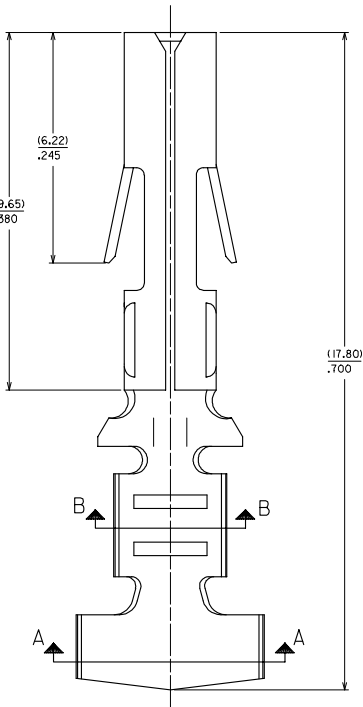
[02-08-1234](#)

For any questions, you can email us directly:

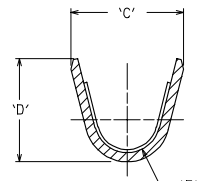
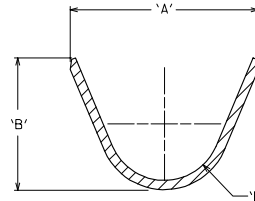
[sales@integrated-circuit.com](mailto:sales@integrated-circuit.com)

10	9	8	7	6	5	4	3	2	1
----	---	---	---	---	---	---	---	---	---

EDP NO.	ENG NO.	FORM	'A'	'B'	'C'	'D'	'E'	'F'
02-08-1201	8980-3C	CHAIN,14-20 AWG WIRE	(4.44)	(3.39)	(3.02)	(3.61)	(1.23)	(0.61)
02-08-1202	8980-3L	LOOSE,14-20 AWG WIRE	.175	.133	.119	.142	.048	.024

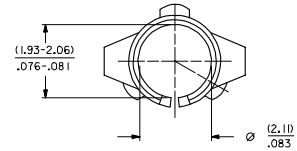


NOTES:  
1. FINISH: (.00089)/.00035 MIN. TIN OVER  
(.00051)/.00020 MIN COPPER (COPPER PLATE REFLOWED)  
2. MATERIAL: (.025)/.010 THK PHOS  
BRONZE, ALLOY CA 51000.



SECTION A-A

SECTION B-B



OBS060702 EC NO: S2007-0797 DRAWN BY: BRUNGENREMLY CHKD BY: CHKO-SKANG APPR BY: LING 2007/03/20 2007/04/03 2007/04/03	QUALITY SYMBOLS	GENERAL TOLERANCES (UNLESS SPECIFIED) <table border="1"> <tr> <th></th> <th>mm</th> <th>INCH</th> </tr> <tr> <td>4 PLACES</td> <td>± .10</td> <td>± .004</td> </tr> <tr> <td>3 PLACES</td> <td>± .15</td> <td>± .006</td> </tr> <tr> <td>2 PLACES</td> <td>± 0.25</td> <td>± .010</td> </tr> <tr> <td>1 PLACE</td> <td>± .50</td> <td>± .020</td> </tr> </table> ANGULAR ± 1°		mm	INCH	4 PLACES	± .10	± .004	3 PLACES	± .15	± .006	2 PLACES	± 0.25	± .010	1 PLACE	± .50	± .020	DIMENSION STYLE	SCALE	DESIGN UNITS	THIRD ANGLE PROJECTION
			mm	INCH																	
	4 PLACES		± .10	± .004																	
	3 PLACES		± .15	± .006																	
2 PLACES	± 0.25	± .010																			
1 PLACE	± .50	± .020																			
▽=0 ▽=0	MM/IN	NTS	METRIC																		
DRAWN BY: TAY CHECKED BY: AT APPROVED BY: AB	DATE: 1987/12/15	DATE: 1987/12/15	DATE: 1987/12/15																		
MATERIAL NO. SEE TABLE DOCUMENT NO. SD-8980-3*	TITLE: TERMINAL SOCKET DIA. (2.096)/.0825	MOLEX INCORPORATED	SHEET NO. 1 OF 1																		

10	9	8	7	6	5	4	3	2	1
----	---	---	---	---	---	---	---	---	---