

## Excellent Integrated System Limited

Stocking Distributor

Click to view price, real time Inventory, Delivery & Lifecycle Information:

[Molex Connector Corporation](#)

[22-05-7125](#)

For any questions, you can email us directly:

[sales@integrated-circuit.com](mailto:sales@integrated-circuit.com)

10 9 8 7 6 5 4 3 2 1

ENG. NO. SD-5268-NA

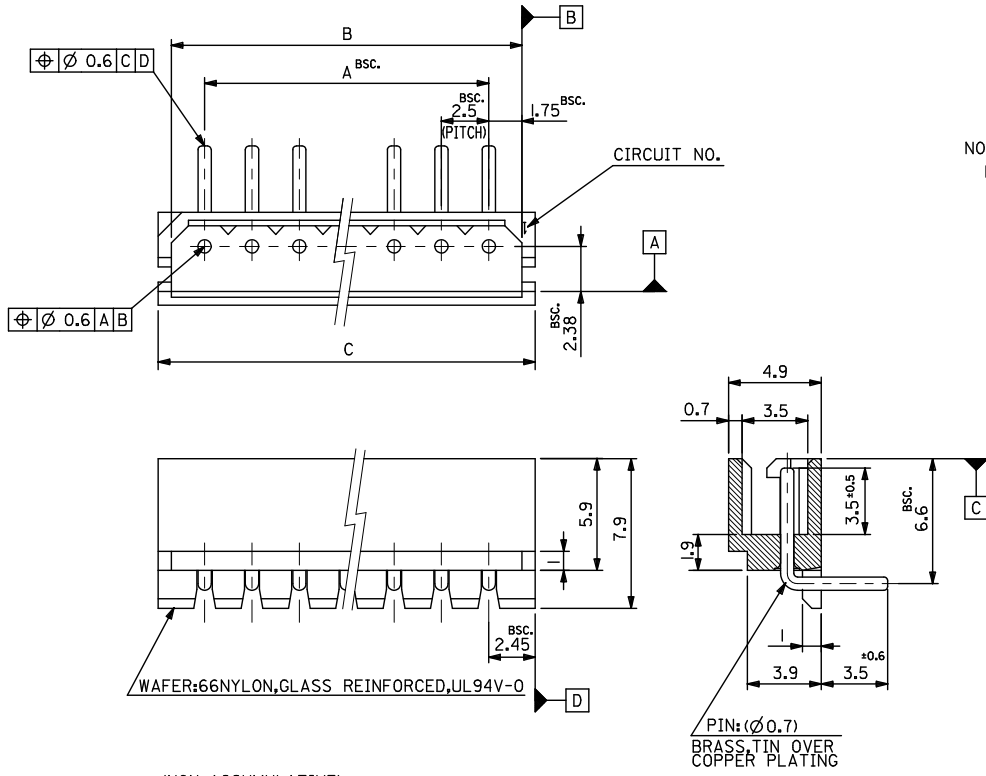
EDP. NO. 22-05-7\*\*5

D

C

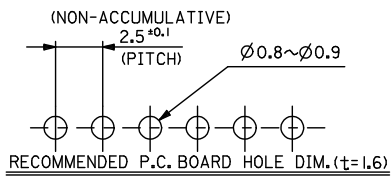
B

A



NOTE:  
MATES WITH : 5264 SERIES.

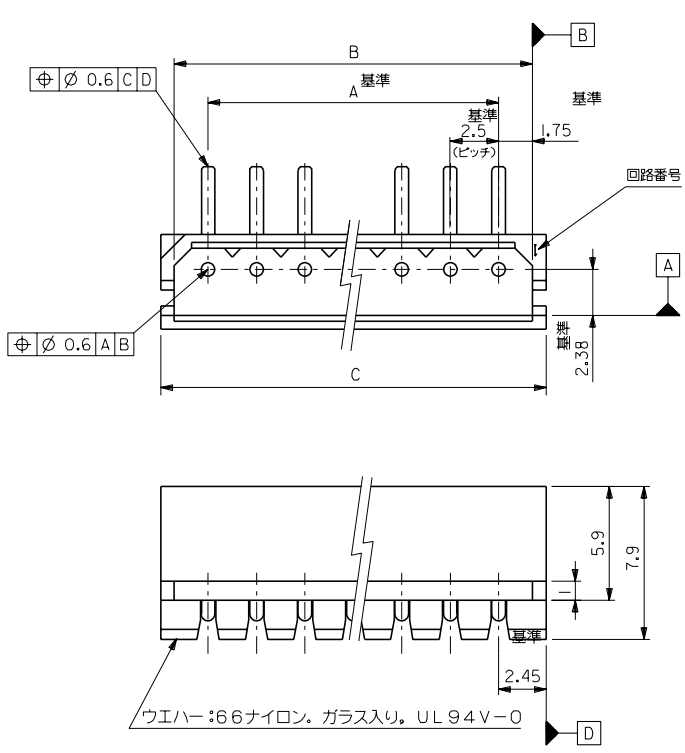
49.9	48.5	45	22-05-7195	5268-19A	19
47.4	46	42.5	-7185	-18A	18
44.9	43.5	40	-7175	-17A	17
42.4	41	37.5	-7165	-16A	16
39.9	38.5	35	-7155	-15A	15
37.4	36	32.5	-7145	-14A	14
34.9	33.5	30	-7135	-13A	13
32.4	31	27.5	-7125	-12A	12
29.9	28.5	25	-7115	-11A	11
27.4	26	22.5	-7105	-10A	10
24.9	23.5	20	-7095	-09A	9
22.4	21	17.5	-7085	-08A	8
19.9	18.5	15	-7075	-07A	7
17.4	16	12.5	-7065	-06A	6
14.9	13.5	10	-7055	-05A	5
12.4	11	7.5	-7045	-04A	4
9.9	8.5	5	-7035	-03A	3
7.4	6	2.5	22-05-7025	5268-02A	2
C	B	A	EDP NO.	ENG.NO.	CKT.



<b>PART NUMBER VOIDED</b> EC NO. J2016-1314 DRWINGS CHKD: 2016/06/29 APPR: Y010 2016/07/08	GENERAL TOLERANCES (UNLESS SPECIFIED)		DIMENSION STYLE MM ONLY		SCALE 5:1	DESIGN UNITS METRIC	THIRD ANGLE PROJECTION
	0.25 UNDER	± 0.03	DRAWN BY	DATE	TITLE 2.5 LOW PROFILE WAFER ASSY 90° BEND  <b>molex</b> DOCUMENT NO. SD-5268-NA SHEET NO. 1 OF 1		
	0.25 OVER	0.5 UNDER	K.TOJO	1991/11/05			
	0.5 OVER	1.0 UNDER	H.HIRAMOTO	1992/08/31			
1.0 OVER	10 UNDER	M.ENAMOTO	1992/08/31				
10 OVER	30 UNDER	± 0.25	MATERIAL NO. SEE CHART				
30 OVER	± 0.2	DRAFT WHERE APPLICABLE MUST REMAIN WITHIN DIMENSIONS		SIZE A3	THIS DRAWING CONTAINS INFORMATION THAT IS PROPRIETARY TO MOLEX ELECTRONIC TECHNOLOGIES, LLC AND SHOULD NOT BE USED WITHOUT WRITTEN PERMISSION		

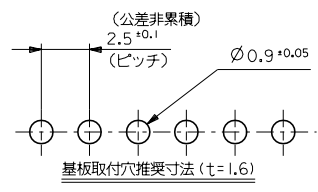
9 8 7 6 5 4 3 2 1

EDP NO. 22-05-7\*\*5  
ENG. NO. SD-5268-NA  
DIMENSIONS IN METRIC DO NOT SCALE DRAWING



NOTE:  
I. 嵌合相手: 5264 シリーズ

39.9	38.5	35	22-05-7155	5268-15A	15
37.4	36	32.5	-7145	-14A	14
34.9	33.5	30	-7135	-13A	13
32.4	31	27.5	-7125	-12A	12
29.9	28.5	25	-7115	-11A	11
27.4	26	22.5	-7105	-10A	10
24.9	23.5	20	-7095	-09A	9
22.4	21	17.5	-7085	-08A	8
19.9	18.5	15	-7075	-07A	7
17.4	16	12.5	-7065	-06A	6
14.9	13.5	10	-7055	-05A	5
12.4	11	7.5	-7045	-04A	4
9.9	8.5	5	-7035	-03A	3
7.4	6	2.5	22-05-7025	5268-02A	2
C	B	A	EDP NO.	ENG. NO.	極数



角度 ANGLE	$\pm 3^\circ$				
30以上 OVER	$\pm 0.3$				
10以上 30未満 UNDER	$\pm 0.25$	C	再作図及び変更	(J10590) K-1	9/17/26
10未満 UNDER	$\pm 0.2$	記号	変更内容	DR. CHK. DATE	
一般公差 GENERAL TOLERANCES		REVISE ONLY ON CAD SYSTEM			

材料 MATERIAL		MOLEX-JAPAN CO.,LTD. 日本モレックス株式会社	
仕上げ FINISH		EDP. NO. 22-05-7**5	
適用電線範囲 WIRE RANGE		ENG. NO. SD-5268-NA	
被覆外径 INS. RANGE		REV. C	
DRAWN BY K.TOUJO '91/7/26	CHK'D BY '92/08/31	TITLE 名称	
APP'D BY '92/08/31	尺度 SCALE 5-1	2.5 LOW PROFILE WAFER ASS'Y 90° BEND	

THIS DRAWING CONTAINS INFORMATION THAT IS PROPRIETARY TO MOLEX(JAPAN) AND SHOULD NOT BE USED WITHOUT WRITTEN PERMISSION  
本図面は日本モレックス(株)の所有する情報を含むもので 当社の許可なく複製を禁止する。 MXJ-8