

Excellent Integrated System Limited

Stocking Distributor

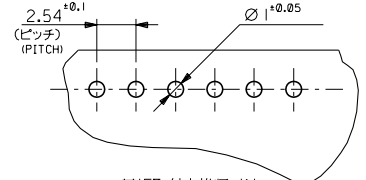
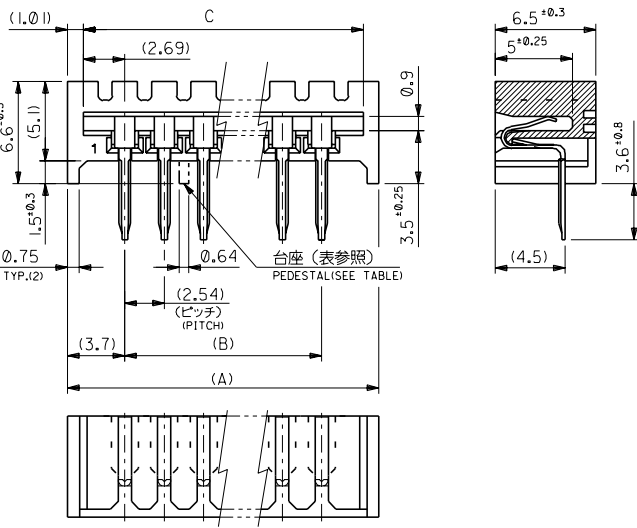
Click to view price, real time Inventory, Delivery & Lifecycle Information:

[Molex Connector Corporation](#)
[22-15-3163](#)

For any questions, you can email us directly:

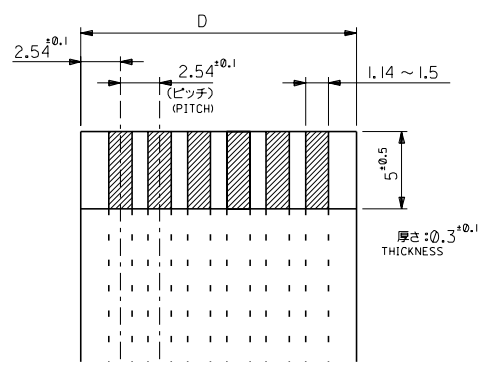
sales@integrated-circuit.com

DWG. NO. SD-5229-NAPB
 DIMENSIONS IN METRIC DO NOT SCALE DRAWING



基板取付穴推奨寸法
RECOMMENDED PC BOARD HOLE DIMENSION

9&10, 18&19	71.12	71.42	66.04	73.44	22-15- 3273	5229- 27APB	27
8&9, 18&19	68.58	68.88	63.5	70.9	- 3263	- 26APB	26
8&9, 17&18	66.04	66.34	60.96	68.36	- 3253	- 25APB	25
8&9, 16&17	63.5	63.8	58.42	65.82	- 3243	- 24APB	24
8&9, 15&16	60.96	61.26	55.88	63.28	- 3233	- 23APB	23
7&8, 15&16	58.42	58.72	53.34	60.74	- 3223	- 22APB	22
7&8, 14&15	55.88	56.18	50.8	58.2	- 3213	- 21APB	21
10&11	53.34	53.64	48.26	55.66	- 3203	- 20APB	20
9&10	50.8	51.1	45.72	53.12	- 3193	- 19APB	19
9&10	48.26	48.56	43.18	50.58	- 3183	- 18APB	18
8&9	45.72	46.02	40.64	48.04	- 3173	- 17APB	17
8&9	43.18	43.48	38.1	45.5	- 3163	- 16APB	16
7&8	40.64	40.94	35.56	42.96	- 3153	- 15APB	15
7&8	38.1	38.4	33.02	40.42	- 3143	- 14APB	14
6&7	35.56	35.86	30.48	37.88	- 3133	- 13APB	13
6&7	33.02	33.32	27.94	35.34	- 3123	- 12APB	12
5&6	30.48	30.78	25.4	32.8	- 3113	- 11APB	11
—	27.94	28.24	22.86	30.26	- 3103	- 10APB	10
—	25.4	25.7	20.32	27.72	- 3093	- 09APB	9
—	22.86	23.16	17.78	25.18	- 3083	- 08APB	8
—	20.32	20.62	15.24	22.64	- 3073	- 07APB	7
—	17.78	18.08	12.7	20.1	- 3063	- 06APB	6
—	15.24	15.54	10.16	17.56	- 3053	- 05APB	5
—	12.7	13	7.62	15.02	- 3043	- 04APB	4
—	10.16	10.46	5.08	12.48	22-15- 3033	5229- 03APB	3



適合FFC推奨寸法
APPLICABLE FFC RECOMMENDED DIMENSION

角度 ANGLE	±3°						
30以上 OVER	±0.3						
10以上 30未満 UNDER	±0.25	F	REVISED (JC2001-0174)	N.Y. 5.8	01/03/14		
10未満 UNDER	±0.2	E	REDRAWN (JC70323)	M.H. 1.6	06/05/12		
一般公差 GENERAL TOLERANCES		記号 LTR	変更内容 REVISION RECORD	DR. 日付 DATE	尺度 SCALE		

材料 MATERIAL	ハウジング: POLYESTER (94V-0) ターミナル: 銅メッキ銅/ニッケルめっき TERMINAL: PHOSPHOR BRONZE, PRE-TINNED PLATING
仕上げ FINISH	—
適用電線範囲 WIRE RANGE	—
被覆外径 INS. RANGE	—

MOLEX-JAPAN CO., LTD.
 日本モレックス株式会社
REVISE ONLY ON CAD SYSTEM
 TITLE 名称
 F.F.C. CONN.
 RECEPTACLE HSG ASS'Y
 DWG. NO. SD-5229-NAPB
 REV F

THIS DRAWING CONTAINS INFORMATION THAT IS PROPRIETARY TO MOLEX (JAPAN) AND SHOULD NOT BE USED WITHOUT WRITTEN PERMISSION
 本図面は日本モレックス（株）の所有する情報を含むもので、当社の許可なく複製を禁止する。
 EN-01C(032)MXJ-32