

Excellent Integrated System Limited

Stocking Distributor

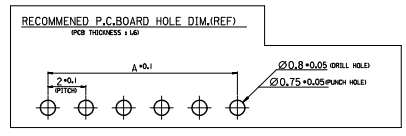
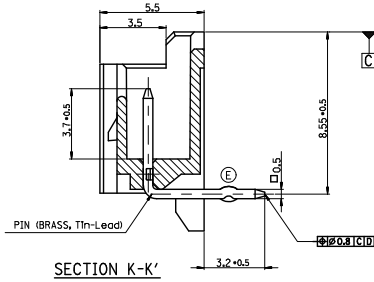
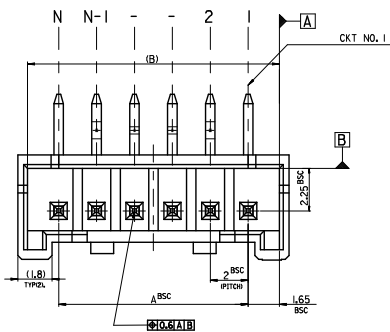
Click to view price, real time Inventory, Delivery & Lifecycle Information:

[Molex Connector Corporation](#)
[35363-1410](#)

For any questions, you can email us directly:

sales@integrated-circuit.com

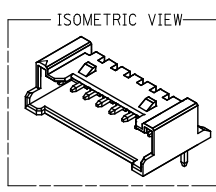
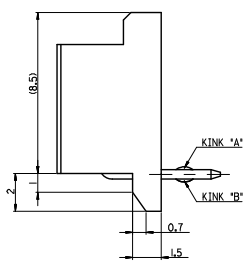
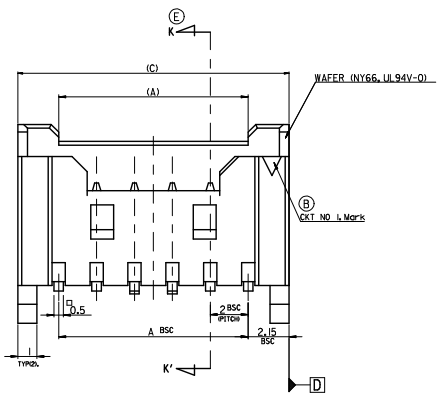
10 9 8 7 6 5 4 3 2 1



LEGEND

SD-35363-**-**
 CKT NO. _____ COLOR

- 0 : NATURAL
- 1 : BLACK
- 2 : RED
- 3 : YELLOW
- 4 : BLUE
- 5 : GREEN



32.3	31.3	28	-15*	15
30.3	29.3	26	-14*	14
28.3	27.3	24	-13*	13
26.3	25.3	22	-12*	12
24.3	23.3	20	-11*	11
22.3	21.3	18	-10*	10
20.3	19.3	16	-09*	9
18.3	17.3	14	-08*	8
16.3	15.3	12	-07*	7
14.3	13.3	10	-06*	6
12.3	12.3	8	-05*	5
10.3	9.3	6	35363-04*	4
(C)	(B)	A	ENG. NO.	CKT

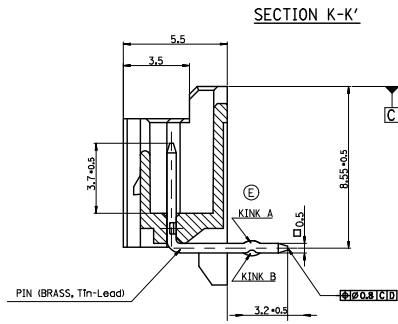
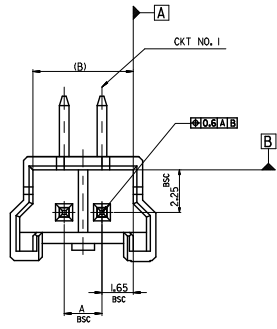
- NOTES
1. MATERIAL : UNFILLED POLYAMIDE, UL94V-0
 2. MATING HOUSING : 35007-**-0*
 3. MATING TERMINAL : 50212-8000
 4. CHAMBER : 0.3 MAX.
 4. KINK

CKT NO	1	2	3	4	5	N-2	N-1	N
6 CKT OVER	-	A	B	-	-	B	A	-
5 CKT	A	B	-	B	A			
4 CKT	A	B	B	A				

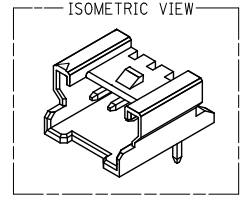
5. PRODUCT SPECIFICATION NO : PS-35507-001

REVISED EC. NO: KOR2008-0018 DRAWN: HBE 2009/01/14 CHKD: YSOKIM 2009/01/14 APPR: TUNSKIM 2009/01/15 REV G1	QUALITY SYMBOLS ▼=0 ▽=0	GENERAL TOLERANCES (UNLESS SPECIFIED) 4 PLACES ± --- ± --- 3 PLACES ± --- ± --- 2 PLACES ± --- ± --- 1 PLACE ± 0.15 ± --- ANGULAR ± 1°	DIMENSION STYLE MM ONLY DRAWN BY YSOKIM DATE 1996/09/11 CHECKED BY JKOH DATE 1996/09/11 APPROVED BY CWLEE DATE 1996/09/11	SCALE 5:1 DESIGN UNITS METRIC THIRD ANGLE PROJECTION	TITLE 2.0 W/B CONN WAFER ASSY (R/A)
		DRAFT WHERE APPLICABLE MUST REMAIN WITHIN DIMENSIONS	MATERIAL NO. ENTER PART	MOLEX INCORPORATED DOCUMENT NO. SD-35363-001	SHEET NO. 1 OF 3
		THIS DRAWING CONTAINS INFORMATION THAT IS PROPRIETARY TO MOLEX INCORPORATED AND SHOULD NOT BE USED WITHOUT WRITTEN PERMISSION			

9 8 7 6 5 4 3 2 1



FOR 2 & 3 CKTS.



LEGEND

SD-35363-***I	COLOR	0 : NATURAL
CKT NO.		1 : BLACK
		2 : RED
		3 : YELLOW
		4 : BLUE
		5 : GREEN

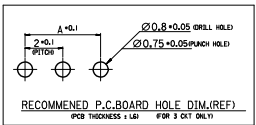
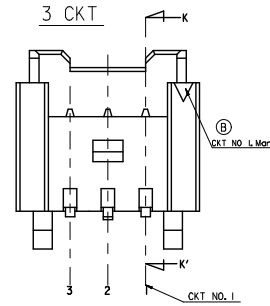
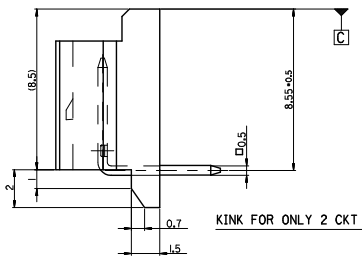
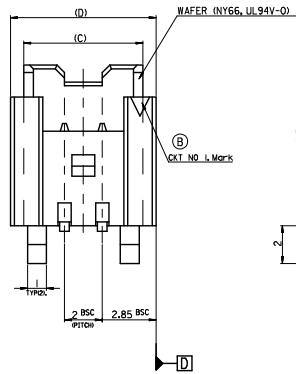
NOTES

- MATERIAL : UNFILLED POLYAMIDE, UL94V-0
- MATING HOUSING : 35007-***0*
- MATING TERMINAL : 50212-8000
- CHAMBER : 0.3 MAX.
- KINK

CKT NO.	1	2	3
2 CKT	NONE	KINK	
3 CKT	A	B	A

5. PRODUCT SPECIFICATION NO : PS-35507-001

9.7	8.3	7.3	4	-031*	3
7.7	6.3	5.3	2	35363-021*	2
(D)	(C)	(B)	A	ENG. NO.	CKT



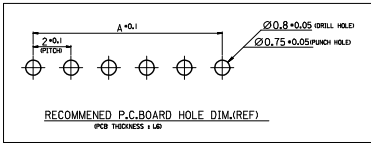
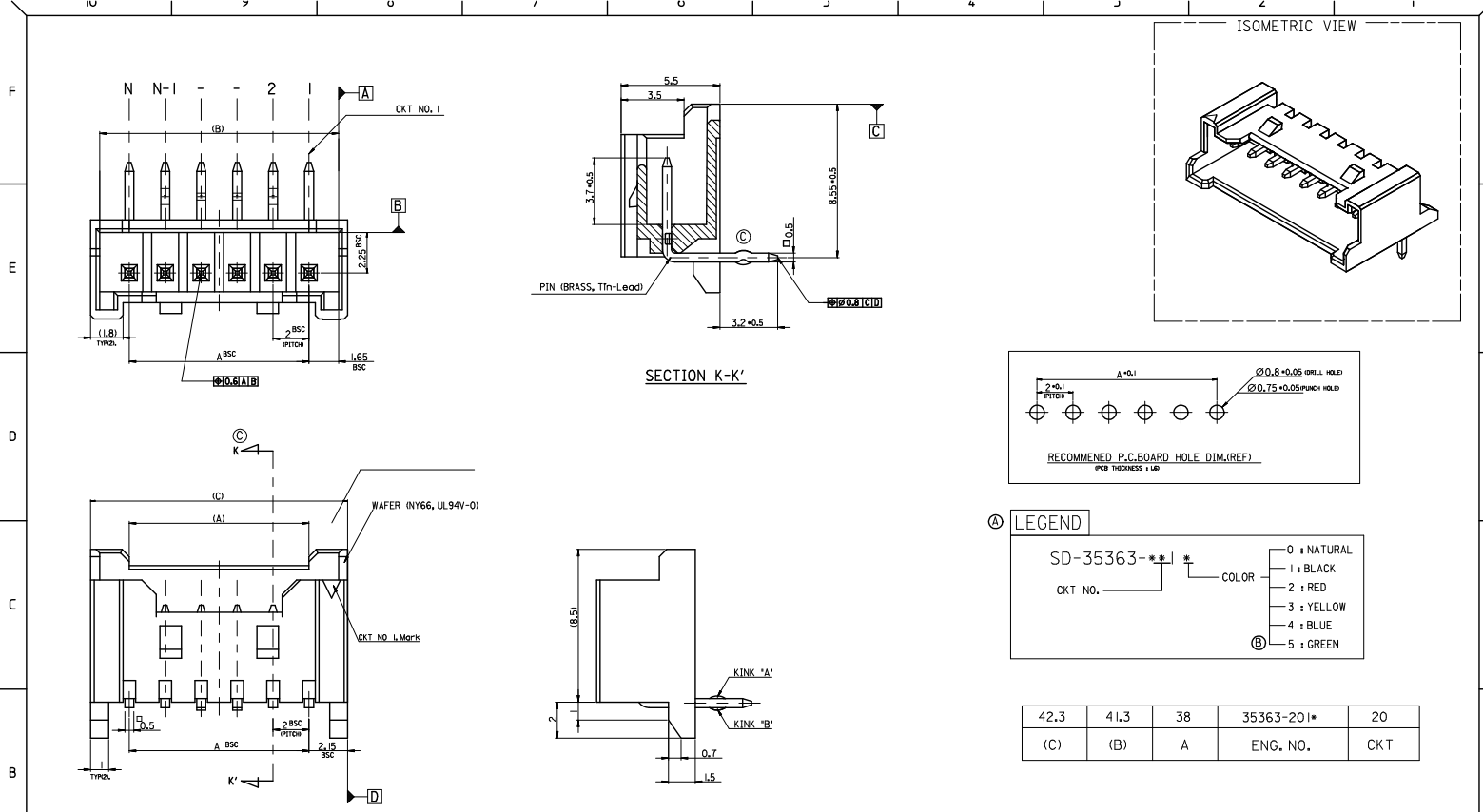
30 over	+0.3
10 over 30 under	±0.25
10 under	±0.2
ANGLE	±3°
GENERAL TOLERANCE	

REVISED	EC NO: KOR2008-0018	2009/01/14
DRWN: JHBAE	2009/01/14	
CHKD: YSOOKIM	2009/01/15	
APPR: YUNSIKKIM	2009/01/15	
DESCRIPTION		
QUALITY SYMBOLS	$\nabla=0$ $\nabla=0$	
REV: G1		

GENERAL TOLERANCES (UNLESS SPECIFIED)	
mm	INCH
4 PLACES ±---	±---
3 PLACES ±---	±---
2 PLACES ±---	±---
1 PLACE ±0.15	±---
ANGULAR ± 1°	
DRAFT WHERE APPLICABLE MUST REMAIN WITHIN DIMENSIONS	

DRAWN BY	DATE	TITLE
YSOOKIM	1996/09/11	2.0 W/B CONN WAFER ASSY (R/A)
CHECKED BY	DATE	
JKOH	1996/09/11	
APPROVED BY	DATE	
CWLEE	1996/09/11	
MATERIAL NO.	DOCUMENT NO.	
	SD-35363-001	
ENTER PART		

SCALE	DESIGN UNITS	THIRD ANGLE PROJECTION
5:1	METRIC	
MOLEX INCORPORATED		SHEET NO.
		2 OF 3



LEGEND

SD-35363-*** * COLOR

- 0 : NATURAL
- 1 : BLACK
- 2 : RED
- 3 : YELLOW
- 4 : BLUE
- 5 : GREEN

42.3	41.3	38	35363-20*	20
(C)	(B)	A	ENG. NO.	CKT

NOTES

1. MATERIAL : UNFILLED POLYAMIDE, UL94V-0
2. MATING HOUSING : 35007-***0*
3. KINK

CKT NO	1	2	3	4	N-3	N-2	N-1	N
20	-	A	B	-	-	B	A	-

4. PRODUCT SPECIFICATION NO : PS-35507-001

30 over	+0.3
10 over 30 under	±0.25
10 under	±0.2
ANGLE	±3°
GENERAL TOLERANCE	

REVISED IEC NO: KOR2008-0018 2009/01/14 DRWN: JHBAE 2009/01/14 CHKD: YSOOKIM 2009/01/15 APPR: YUNSIKKIM 2009/01/15 DESCRIPTION G1 REV1	QUALITY SYMBOLS ▽=0 ▽=0	GENERAL TOLERANCES (UNLESS SPECIFIED)		DIMENSION STYLE MM ONLY		SCALE 5:1	DESIGN UNITS METRIC	THIRD ANGLE PROJECTION	
		4 PLACES ± --- ± --- 3 PLACES ± --- ± --- 2 PLACES ± --- ± --- 1 PLACE ± 0.15 ± ---		DRAWN BY YSOOKIM DATE 1996/09/11		TITLE 2.0 W/B CONN WAFER ASSY (R/A)			
		ANGULAR ± 1 °		CHECKED BY JKOH DATE 1996/09/11		ENTER PART SD-35363-001			
		DRAFT WHERE APPLICABLE MUST REMAIN WITHIN DIMENSIONS		APPROVED BY CWLEE DATE 1996/09/11		MATERIAL NO. DOCUMENT NO.		MOLEX INCORPORATED	