

Excellent Integrated System Limited

Stocking Distributor

Click to view price, real time Inventory, Delivery & Lifecycle Information:

[Molex Connector Corporation](#)
[0502128100](#)

For any questions, you can email us directly:

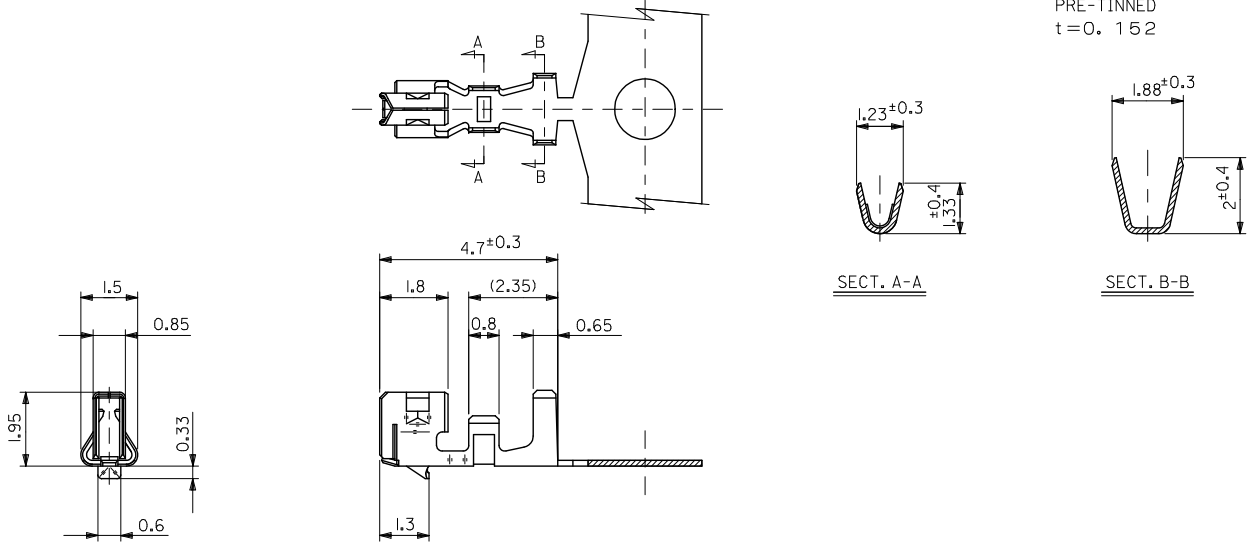
sales@integrated-circuit.com

10 9 8 7 6 5 4 3 2 1

注記

- 適用ハウジング: 51065-***00
APPLICABLE HOUSING 51089-***05
51090-***00

2. 材質:
MATERIAL
リン青銅
PHOSPHOR BRONZE
鍍メッキ
PRE-TINNED
t=0.152



50212-8100	バラ状
50212-8000	連鎖状
MATERIAL NO.	端子形状

通用電線範囲 WIRE RANGE	AWG #24~#30
被覆外径 INS.RANGE	φ1.4MAX.

REVISED IEC NO. J2009-2125 DRAWN BY C. ARIZONO 2009/03/25 CHECKED BY T. HARIYAMA 2009/04/07 APPROVED BY N. UKITA 2009/04/08 DESCRIPTION DRAFT WHERE APPLICABLE MUST REMAIN WITHIN DIMENSIONS	GENERAL TOLERANCES (UNLESS SPECIFIED)		DIMENSION STYLE	SCALE	DESIGN UNITS	THIRD ANGLE PROJECTION	
	10 UNDER	± 0.2	MM ONLY	10:1	METRIC		
	10 OVER 30 UNDER	± 0.25				NEW 2.0 WIRE TO BOARD CONN. CRIMP RECEPTACLE	
	30 OVER	± 0.3					
	ANGULAR	± 3 °					
	DRAFT WHERE APPLICABLE MUST REMAIN WITHIN DIMENSIONS		SEE CHART				
			MATERIAL NO.	DOCUMENT NO.		SHEET NO.	
				SD-50212-001		1 OF 1	
			THIS DRAWING CONTAINS INFORMATION THAT IS PROPRIETARY TO MOLEX INCORPORATED AND SHOULD NOT BE USED WITHOUT WRITTEN PERMISSION				