

## Excellent Integrated System Limited

Stocking Distributor

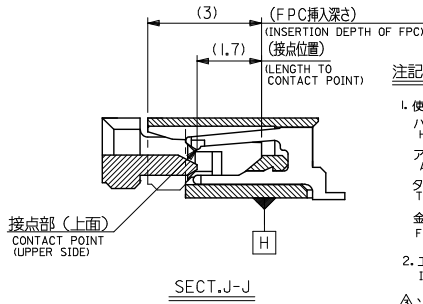
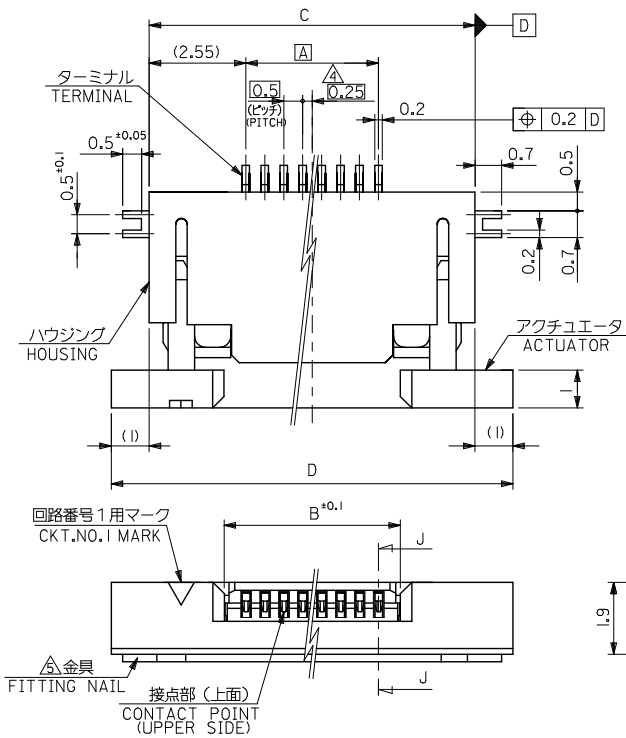
Click to view price, real time Inventory, Delivery & Lifecycle Information:

[Molex Connector Corporation](#)  
[52435-2491](#)

For any questions, you can email us directly:

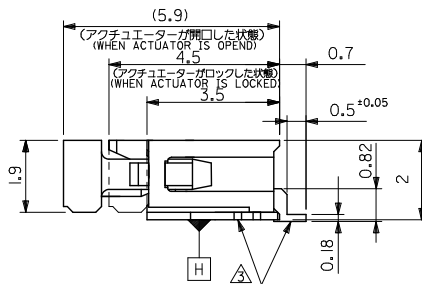
[sales@integrated-circuit.com](mailto:sales@integrated-circuit.com)

10 9 8 7 6 5 4 3 2 1



**注記 NOTES**

1. 使用材料: MATERIAL  
 ハウジング : 46ナイロン, UL94V-0  
 HOUSING : 46NYLON  
 アクチュエータ : PPS, UL94V-0  
 ACTUATOR  
 ターミナル : リン青銅, 半田メッキ (t=0.2)  
 TERMINAL : PHOS-BRO.TIN-LEAD  
 金具 : リン青銅, 半田メッキ (t=0.2)  
 FITTING NAIL : PHOS-BRO.TIN-LEAD
2. エンボスターフ梱包時は、アクチュエータがロックした状態とする。  
 IN THE PACKAGE, ACTUATOR OF PART NO.52435-2491 SHOULD BE LOCKED.
- △ ソルダータール半田付け面のズレ量、及び金具半田付け面のズレ量は、基準面 H に対し上方向 0.1 MAX. , 下方向 0.15 MAX. とする。  
 MISALIGNMENT OF SOLDER TAILS AND FITTING NAILS FROM H  
 UPPER DIRECTION: 0.1 MAX. , LOWER DIRECTION: 0.15 MAX.
- △ 偶数極に適用。  
 APPLY FOR EVEN CIRCUIT.
- △ ナターンはくくり止め用金具。  
 FITTING NAIL FOR PREVENTION OF PEELING OF P.C.B. PATTERN.
- △ R.O. 3は、F.P.Cの導体部にかからないこと。  
 R.O.3 MUST NOT BE OVERLAPPED TO PATTERN OF FPC.
7. ソルダータールの平坦度は、0.1 MAXIMUM とする。  
 SOLDER TAIL COPLANARITY IS 0.1 MAXIMUM.

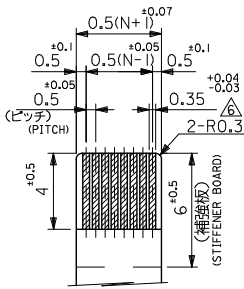


MODEL NO. 52435-2491

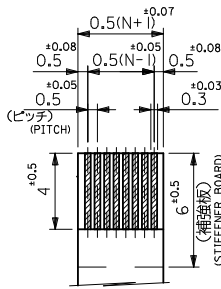
REVISED EC NO. J2015-0014 DRAWN: YOSHII 2014/07/08 CHKD: KOBAYASHI 2014/07/08 APPR: INOYAMA 2014/07/17	GENERAL TOLERANCES (UNLESS SPECIFIED)		DIMENSION STYLE MM ONLY		SCALE ---	DESIGN UNITS METRIC	THIRD ANGLE PROJECTION
	10 UNDER	± 0.2	DRAWN BY SKAJINUMA	DATE 9/11/10/31	TITLE 0.5 FPC CONN ZIF FOR SMT R/A (UPPER CONTACT)		
	10 OVER 30 UNDER	± 0.25	CHECKED BY MFUKUSHIMA	DATE 9/7/07/15			
	30 OVER	± 0.3	APPROVED BY MFUKUSHIMA	DATE 9/7/07/15			
ANGULAR	± 3 °	MATERIAL NO.		DOCUMENT NO.	SHEET NO. 1 OF 2		
DRAFT WHERE APPLICABLE MUST REMAIN WITHIN DIMENSIONS		SEE SHEET 2		SD-52435-018			
THIS DRAWING CONTAINS INFORMATION THAT IS PROPRIETARY TO MOLEX INCORPORATED AND SHOULD NOT BE USED WITHOUT WRITTEN PERMISSION							

9 8 7 6 5 4 3 2

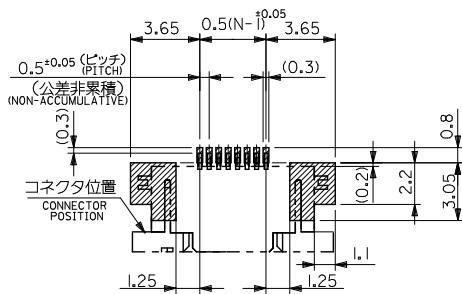
10 9 8 7 6 5 4 3 2 1



適合FFC推奨寸法  
APPLICABLE FFC  
RECOMMENDED DIMENSION.  
(仕上がり厚さ: 0.3<sup>+0.05</sup>)  
(THICKNESS: 0.3<sup>+0.05</sup>)



適合FFC推奨寸法  
APPLICABLE FFC  
RECOMMENDED DIMENSION.  
(仕上がり厚さ: 0.3<sup>+0.05</sup>)  
(THICKNESS: 0.3<sup>+0.05</sup>)



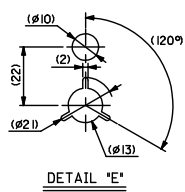
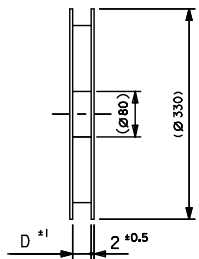
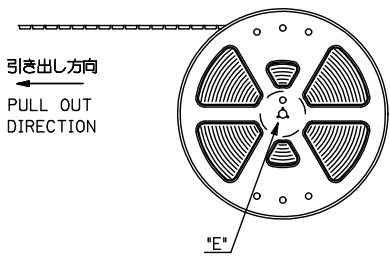
参考基板レイアウト  
(マウント面)  
RECOMMENDED P.C.BOARD  
PATTERN DIMENSION (REF.)  
(MOUNTING SIDE)

20.6	18.6	14.65	13.5	52435-2827	28
20.1	18.1	14.15	13.0	-2727	27
18.6	16.6	12.65	11.5	-2427	24
18.1	16.1	12.15	11.0	-2327	23
17.6	15.6	11.65	10.5	-2227	22
16.6	14.6	10.65	9.5	-2027	20
16.1	14.1	10.15	9.0	-1927	19
15.6	13.6	9.65	8.5	-1827	18
15.1	13.1	9.15	8.0	-1727	17
14.6	12.6	8.65	7.5	-1627	16
14.1	12.1	8.15	7.0	-1527	15
13.6	11.6	7.65	6.5	-1427	14
13.1	11.1	7.15	6.0	-1327	13
12.1	10.1	6.15	5.0	-1127	11
11.6	9.6	5.65	4.5	-1027	10
11.1	9.1	5.15	4.0	-0927	9
10.6	8.6	4.65	3.5	-0827	8
10.1	8.1	4.15	3.0	-0727	7
9.6	7.6	3.65	2.5	52435-0627	6

REVISED	EC NO. J2015-0014	2014/07/08	MODEL NO. 52435-**27	D	C	B	(A)	MATERIAL NO.	種数
	DRW: NAWOSHII 01	2014/07/08	GENERAL TOLERANCES (UNLESS SPECIFIED)	DIMENSION STYLE		SCALE	DESIGN UNITS	THIRD ANGLE PROJECTION	
	CHKD: KOBAYASHI 02	2014/07/08	10 UNDER ±0.2	MM ONLY		---	METRIC	0.5 FPC CONN ZIF FOR SMT R/A (UPPER CONTAT)	
	APPR: INOYAMA	2014/07/17	10 OVER 30 UNDER ±0.25	DRAWN BY SKAJINUMA		DATE 9/1/10/31	TITLE		
		30 OVER ±0.3	CHECKED BY MFUKUSHIMA		DATE 9/7/07/15	molex			
		ANGULAR ±3 °	APPROVED BY MFUKUSHIMA		DATE 9/7/07/15	SD-52435-018			
		DRAFT WHERE APPLICABLE MUST REMAIN WITHIN DIMENSIONS	SEE CHART		DOCUMENT NO.		SHEET NO. 2 OF 2		
			THIS DRAWING CONTAINS INFORMATION THAT IS PROPRIETARY TO MOLEX INCORPORATED AND SHOULD NOT BE USED WITHOUT WRITTEN PERMISSION						

9 8 7 6 5 4 3 2

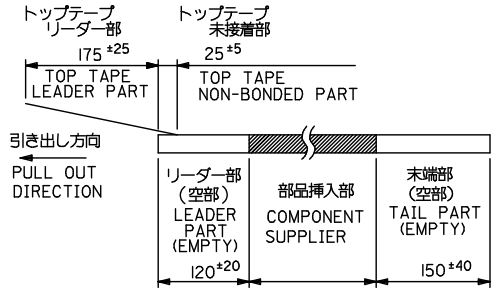
10 9 8 7 6 5 4 3 2 1



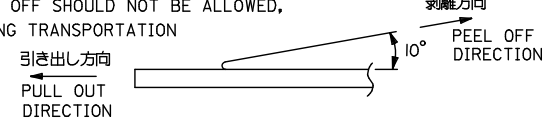
5. 材料 (MATERIAL)  
 キャリアテープ (CARRIER TAPE): ポリプロピレン (POLYPROPYLENE)  
 トップテープ (TOP TAPE): PET, PE, PEF  
 リール (REEL): ポリスチレン (PS) <リサイクル材を含む>  
 POLYSTYRENE (PS) <RECYCLE MATERIAL CONTAINED>

注記 NOTES

- 製品番号 52435-\*\*\*27 の梱包状態はアクチュエータがロックした状態とする。  
 詳細寸法については図面 SD-52435-018 を参照下さい。  
 IN THE PACKAGE, ACTUATOR OF PART NO.52435-\*\*\*27 SHOULD BE LOCKED RE DETAILED DIMENSIONS, SEE SD-52435-018
- 梱包数量: 1000個/リール  
 NUMBER OF CONNECTORS: 1000PCS/REEL
- リードテープ長さ LEAD TAPE LENGTH



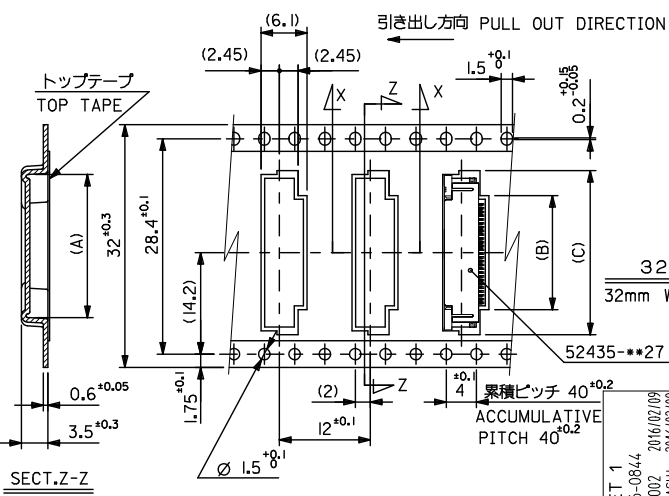
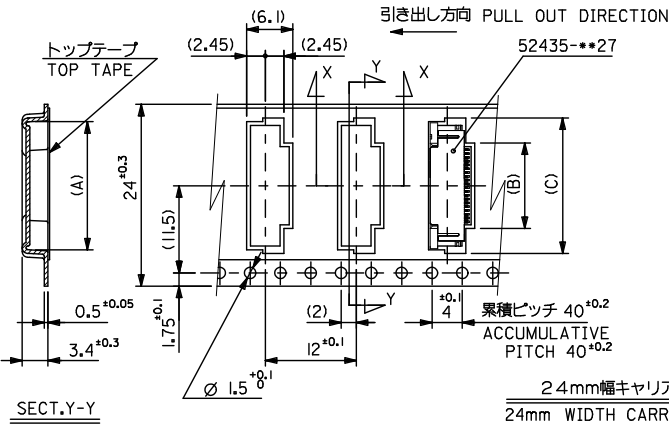
- トップテープの剥離強度: (剥離方向は下図参照)  
 0.1N~0.7N (10.2gf~71.4gf) 尚、本規格値は、出荷時に適用。  
 (但し、輸送時に剥離が発生しない事。)  
 PEELING OFF FORCE OF TOP TAPE 0.1N~0.7N (10.2gf~71.4gf) (PEELING DIRECTION AS SHOWN IN FOLLOWING FIG.) THIS REQUIREMENT SHOULD BE APPLIED AT SHIPMENT  
 PEEL OFF SHOULD NOT BE ALLOWED, DURING TRANSPORTATION



REVISED EC NO: J2016-0844 DRAWN: YI ZUN002 2016/02/09 CHKD: KTAKAHASHI 2016/02/09 APPR: IKUSUHARA01 2016/02/19	GENERAL TOLERANCES (UNLESS SPECIFIED)			DIMENSION STYLE MM ONLY		SCALE ---	DESIGN UNITS METRIC	THIRD ANGLE PROJECTION
	0.25 UNDER	UNDER	±0.03	DRAWN BY	DATE	TITLE		
	0.25 OVER	0.5 UNDER	±0.05	TMORISHITA	2013/08/01	EMBOSSD TAPE PACKAGE FOR 52435-***27 SHEET 1 OF 3		
	0.5 OVER	1.0 UNDER	±0.1	CHECKED BY	DATE	molex		
	1.0 OVER	10 UNDER	±---	KTAKAHASHI	2013/08/01			
10 OVER	30 UNDER	±---	APPROVED BY	DATE	DOCUMENT NO.	SD-52435-024		SHEET NO. 1 OF 3
30 OVER		±---	YNOGAWA	2013/09/09	SEE SHEET 2-3			
ANGULAR	±---		MATERIAL NO.		THIS DRAWING CONTAINS INFORMATION THAT IS PROPRIETARY TO MOLEX ELECTRONIC TECHNOLOGIES, LLC AND SHOULD NOT BE USED WITHOUT WRITTEN PERMISSION			
DRAFT WHERE APPLICABLE MUST REMAIN WITHIN DIMENSIONS			SIZE A3					

9 8 7 6 5 4 3 2 1

10 9 8 7 6 5 4 3 2 1

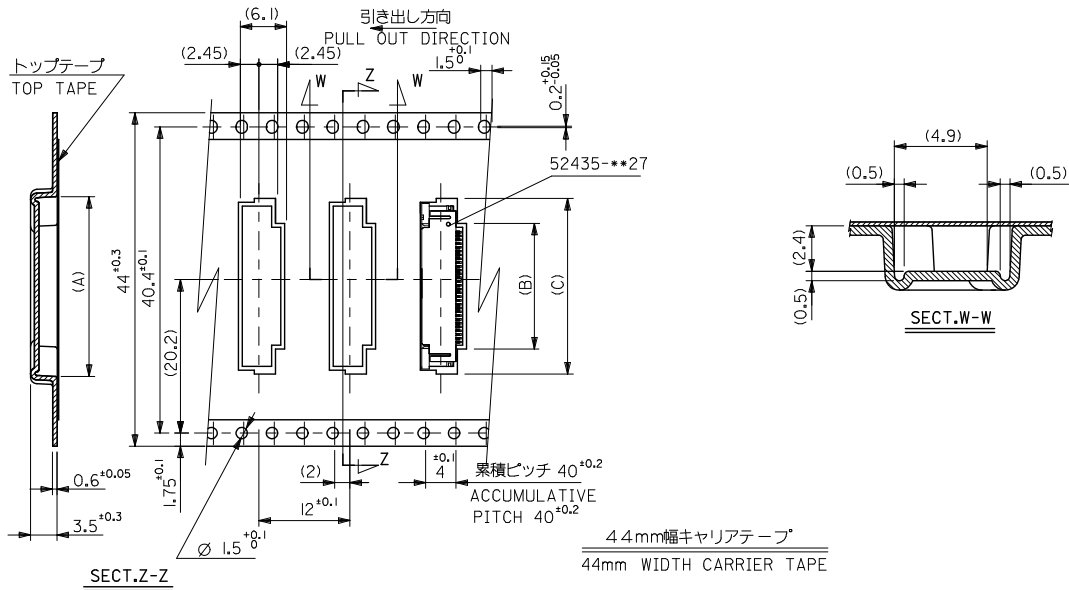


32	33.5	21.9	15.3	20.9	52435-289I	28
		21.4	14.8	20.4	-279I	27
		19.9	13.3	18.9	-249I	24
		19.4	12.8	18.4	-239I	23
24	25.5	18.9	12.3	17.9	-229I	22
		17.9	11.3	16.9	-209I	20
		17.4	10.8	16.4	-199I	19
		16.9	10.3	15.9	-189I	18
		16.4	9.8	15.4	-179I	17
		15.4	8.8	14.4	-159I	15
		14.9	8.3	13.9	-149I	14
		14.4	7.8	13.4	-139I	13
		13.4	6.8	12.4	-119I	11
		12.9	6.3	11.9	-109I	10
		12.4	5.8	11.4	-099I	9
		11.9	5.3	10.9	-089I	8
11.4	4.8	10.4	-079I	7		
10.9	4.3	9.9	52435-069I	6		

SEE SHEET 1	GENERAL TOLERANCES (UNLESS SPECIFIED)	DIMENSION STYLE	SCALE	DESIGN UNITS	THIRD ANGLE PROJECTION
EC NO. J2016-0844	0.25 UNDER UNDER ±0.03	MM ONLY	---	METRIC	☉
DRWN:YI ZUN002 2016/02/09	0.25 OVER 0.5 UNDER ±0.05	DRAWN BY DATE			
CHKD:KTAKASHI 2016/02/09	0.5 OVER 1.0 UNDER ±0.1	TMORISHITA 2013/08/01			TITLE
APPR:IKUSIHARA01 2016/02/19	1.0 OVER 10 UNDER ±---	CHECKED BY DATE			EMBOSSD TAPE PACKAGE
	10 OVER 30 UNDER ±---	KTAKASHI 2013/08/01			FOR 52435-***27
	30 OVER ±---	APPROVED BY DATE			SHEET 2 OF 3
	ANGULAR ±--- °	YNOGAWA 2013/09/09			
	DRAFT WHERE APPLICABLE MUST REMAIN WITHIN DIMENSIONS	MATERIAL NO.			
		SEE CHART			
		SIZE A3			
		THIS DRAWING CONTAINS INFORMATION THAT IS PROPRIETARY TO MOLEX ELECTRONIC TECHNOLOGIES, LLC AND SHOULD NOT BE USED WITHOUT WRITTEN PERMISSION			

9 8 7 6 5 4 3 2 1

10 9 8 7 6 5 4 3 2 1



44	45.5	22.9	16.3	21.9	52435-3091	30
キャリアテープ幅 CARRIER TAPE WIDTH		D	(C)	(B)	(A)	極致 CIRCUIT
					ENG. NO.	

SEE SHEET 1 EC NO. J2016-0844 DRAWN: MI ZUNO02 2016/02/09 CHKD: KTAKAHASHI 2016/02/09 APPR: IKUSUHARA01 2016/02/19	GENERAL TOLERANCES (UNLESS SPECIFIED)		DIMENSION STYLE MM ONLY		SCALE ---	DESIGN UNITS METRIC	THIRD ANGLE PROJECTION
	0.25 UNDER	UNDER	±0.03	DRAWN BY	DATE	TITLE	
	0.25 OVER	0.5 UNDER	±0.05	TMORISHITA	2013/08/01	EMBOSSD TAPE PACKAGE FOR 52435-**27 SHEET 3 OF 3	
	0.5 OVER	1.0 UNDER	±0.1	CHECKED BY	DATE	<b>molex</b>	
	1.0 OVER	10 UNDER	±---	KTAKAHASHI	2013/08/01		
10 OVER	30 UNDER	±---	APPROVED BY	DATE	DOCUMENT NO.	SHEET NO.	
30 OVER		±---	YNOGAWA	2013/09/09	SD-52435-024	3 OF 3	
ANGULAR		±--- °	SEE CHART				
DRAFT WHERE APPLICABLE MUST REMAIN WITHIN DIMENSIONS			SIZE A3	THIS DRAWING CONTAINS INFORMATION THAT IS PROPRIETARY TO MOLEX ELECTRONIC TECHNOLOGIES, LLC AND SHOULD NOT BE USED WITHOUT WRITTEN PERMISSION			

9 8 7 6 5 4 3 2 1