

## Excellent Integrated System Limited

Stocking Distributor

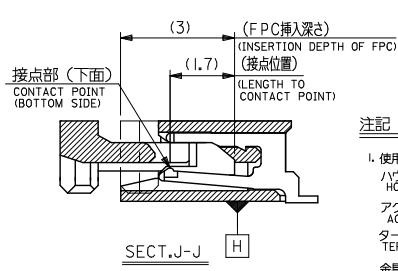
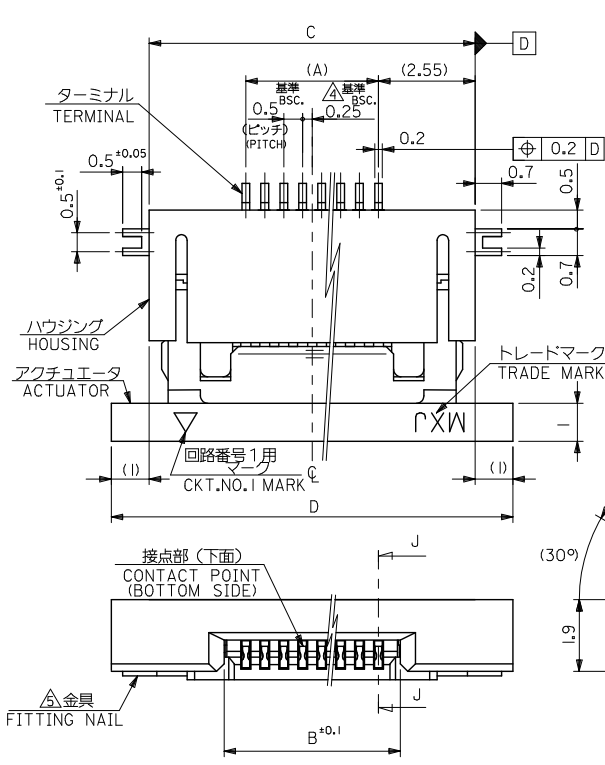
Click to view price, real time Inventory, Delivery & Lifecycle Information:

[Molex Connector Corporation](#)  
[52437-2691](#)

For any questions, you can email us directly:

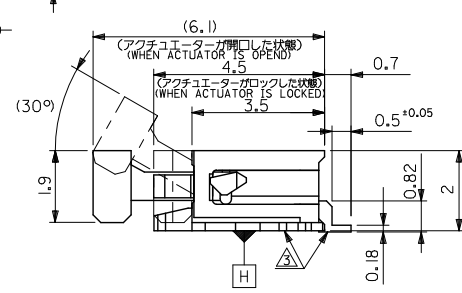
[sales@integrated-circuit.com](mailto:sales@integrated-circuit.com)

10 9 8 7 6 5 4 3 2 1



**注記 NOTES**

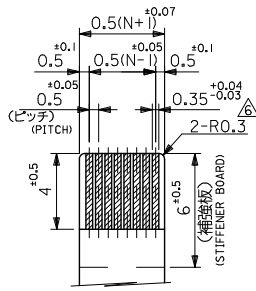
1. 使用材料: MATERIAL  
 ハウジング : 46ナイロン, UL 94V-0  
 HOUSING : 46NYLON  
 アクチュエータ: PPS, UL 94V-0  
 ACTUATOR  
 ターミナル : リン青銅, 鍍メッキ (t=0.2)  
 TERMINAL : PHOS-BRO.TIN-PLATED  
 金具 : リン青銅, 鍍メッキ (t=0.2)  
 FITTING NAIL : PHOS-BRO.TIN-PLATED
2. エンボステープ梱包時は、アクチュエータがロックした状態とする。  
 IN THE PACKAGE, ACTUATOR OF PART NO.52437-2691 SHOULD BE LOCKED.
3. ソルダータール半田付け面のスレ量、及び金具半田付け面のスレ量は、基準面 H に対し上方向 0.1 MAX. , 下方向 0.15 MAX. とする。  
 MISALIGNMENT OF SOLDER TAILS AND FITTING NAILS FROM H UPPER DIRECTION: 0.1 MAX. , LOWER DIRECTION: 0.15 MAX.
4. 偶数極に適用。  
 APPLY FOR EVEN CIRCUIT.
5. パターンはくり止め用金具。  
 FITTING NAIL FOR PREVENTION OF PEELING OF P.C.B. PATTERN.
6. R.O. 3は、FPCの導体部にかからないこと。  
 R.O.3 MUST NOT BE OVERLAPPED TO PATTERN OF FPC.
7. ソルダータールの平坦度は、0.1 MAXIMUM とする。  
 SOLDER TAIL COPLANARITY IS 0.1 MAXIMUM.



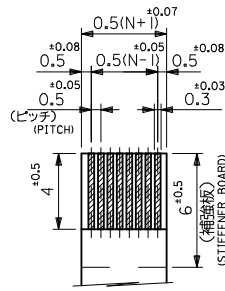
REVISED EC NO. J2014-1862 DRAWN: JASUNIMA 2014/06/26 CHKD: KTAKAHASHI 2014/06/26 APPR: YNOGAWA 2014/07/01	GENERAL TOLERANCES (UNLESS SPECIFIED)		DIMENSION STYLE MM ONLY		SCALE ---	DESIGN UNITS METRIC	THIRD ANGLE PROJECTION
	10 UNDER	± 0.2	DRAWN BY KNAGUMO	DATE 2013/07/16	TITLE 0.5 FPC CONN ZIF FOR SMT R/A(BOTTOM CONTACT)  <b>molex</b> DOCUMENT NO. SD-52437-025 SHEET NO. 1 OF 2		
	10 OVER 30 UNDER	± 0.25	CHECKED BY KTAKAHASHI	DATE 2013/07/16			
	30 OVER	± 0.3	APPROVED BY YNOGAWA	DATE 2013/08/02			
ANGULAR ± 3 °		MATERIAL NO.					
DRAFT WHERE APPLICABLE MUST REMAIN WITHIN DIMENSIONS		SEE CHART		THIS DRAWING CONTAINS INFORMATION THAT IS PROPRIETARY TO MOLEX INCORPORATED AND SHOULD NOT BE USED WITHOUT WRITTEN PERMISSION			

9 8 7 6 5 4 3 2

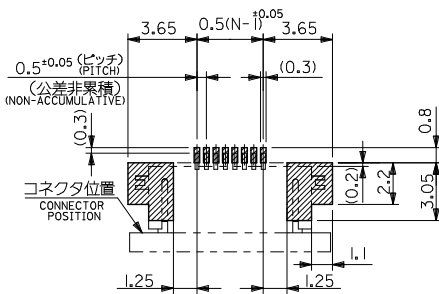
10 9 8 7 6 5 4 3 2 1



適合FPC推奨寸法  
APPLICABLE FPC  
RECOMMENDED DIMENSION  
(仕上がり厚さ: 0.3<sup>+0.05</sup>)  
(THICKNESS: 0.3<sup>+0.05</sup>)



適合FFC推奨寸法  
APPLICABLE FFC  
RECOMMENDED DIMENSION  
(仕上がり厚さ: 0.3<sup>+0.05</sup>)  
(THICKNESS: 0.3<sup>+0.05</sup>)



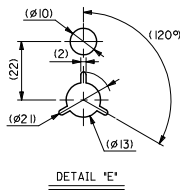
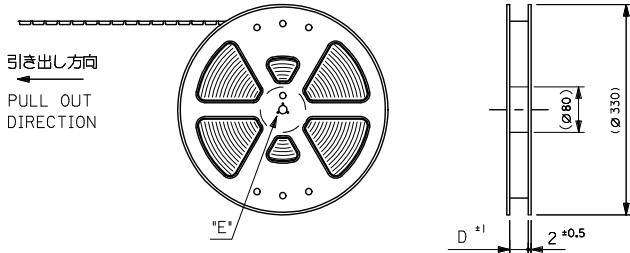
参考基板レイアウト  
(マウント面)  
RECOMMENDED P.C. BOARD  
PATTERN DIMENSION (REF.)  
(MOUNTING SIDE)

21.6	19.6	15.65	14.5	52437-3027	30
21.1	19.1	15.15	14.0	-2927	29
20.1	18.1	14.15	13.0	-2727	27
19.6	17.6	13.65	12.5	-2627	26
18.6	16.6	12.65	11.5	-2427	24
18.1	16.1	12.15	11.0	-2327	23
17.6	15.6	11.65	10.5	-2227	22
16.6	14.6	10.65	9.5	-2027	20
15.6	13.6	9.65	8.5	-1827	18
14.6	12.6	8.65	7.5	-1627	16
14.1	12.1	8.15	7.0	-1527	15
13.6	11.6	7.65	6.5	-1427	14
13.1	11.1	7.15	6.0	-1327	13
12.6	10.6	6.65	5.5	-1227	12
11.6	9.6	5.65	4.5	-1027	10
10.6	8.6	4.65	3.5	-0827	8
10.1	8.1	4.15	3.0	-0727	7
9.6	7.6	3.65	2.5	52437-0627	6
<b>D</b>	<b>C</b>	<b>B</b>	<b>(A)</b>	<b>ENG. NO.</b>	<b>極数</b>

SEE SHEET 1 EC NO. J2014-1862 DRAWN BY: JASANIWA 2014/06/26 CHKD: KTAKAHASHI 2014/06/26 APPR: YNOGAWA 2014/07/01	GENERAL TOLERANCES (UNLESS SPECIFIED)		DIMENSION STYLE MM ONLY		SCALE ---	DESIGN UNITS METRIC	THIRD ANGLE PROJECTION
	10 UNDER	± 0.2	DRAWN BY	DATE	0.5 FPC CONN ZIF FOR SMT R/A(BOTTOM CONTACT)		
	10 OVER 30 UNDER	± 0.25	KNAGUMO	2013/07/16			
	30 OVER	± 0.3	CHECKED BY	DATE			
ANGULAR	± 3 °	APPROVED BY	DATE	TITLE		molex	
DRAFT WHERE APPLICABLE MUST REMAIN WITHIN DIMENSIONS		YNOGAWA	2013/08/02	DOCUMENT NO.			SHEET NO.
A	SIZE A3	SEE CHART		SD-52437-025		2 OF 2	
THIS DRAWING CONTAINS INFORMATION THAT IS PROPRIETARY TO MOLEX INCORPORATED AND SHOULD NOT BE USED WITHOUT WRITTEN PERMISSION							

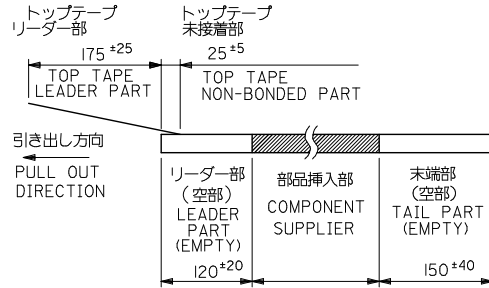
9 8 7 6 5 4 3 2

10 9 8 7 6 5 4 3 2 1



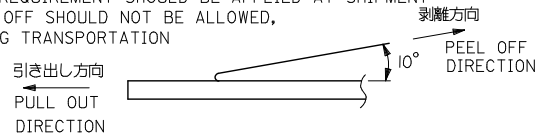
**注記 NOTES**

- 製品番号 52437-\*\*\*27 の梱包状態はアクチュエータがロックした状態とする。  
詳細寸法については図面 SD-52437-025 を参照下さい。  
IN THE PACKAGE,ACTUATOR OF PART NO.52437-\*\*\*27 SHOULD BE LOCKED RE DETAILED DIMENSIONS,SEE SD-52437-025
- 梱包数量：1000個/リール  
NUMBER OF CONNECTORS:1000PCS/REEL
- リードテープ長さ LEAD TAPE LENGTH



- トップテープの剥離強度：(剥離方向は下図参照)  
0.1N~0.7N(10.2gf~71.4gf) 尚、本規格値は、出荷時に適用。  
(但し、輸送時に剥離が発生しない事。)

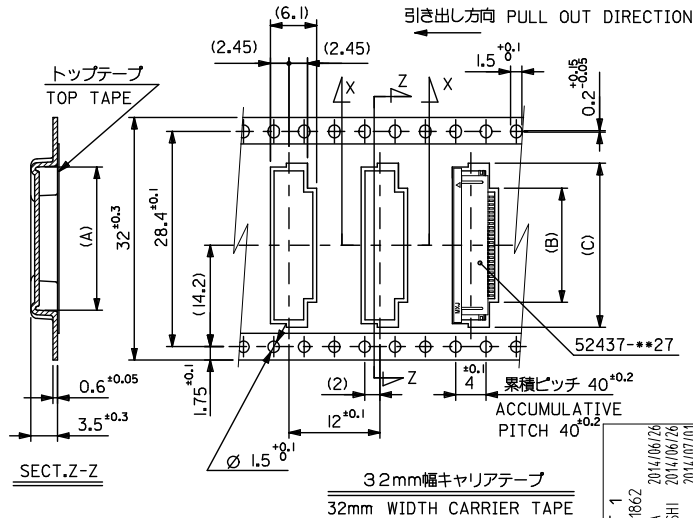
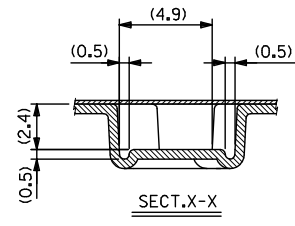
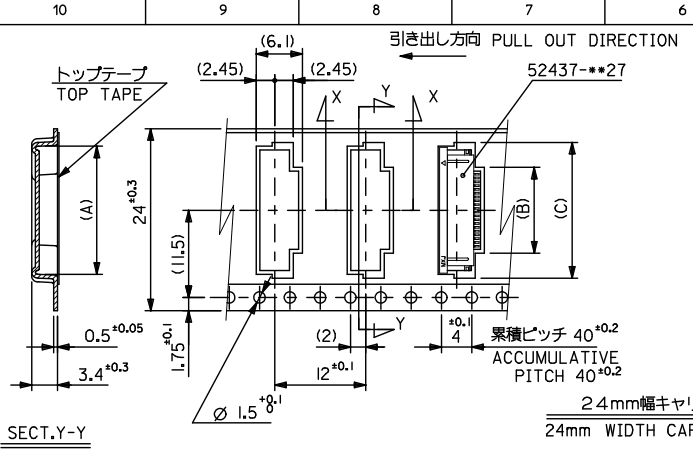
PEELING OFF FORCE OF TOP TAPE  
0.1N~0.7N(10.2gf~71.4gf)(PEELING DIRECTION AS SHOWN IN FOLLOWING FIG.)  
THIS REQUIREMENT SHOULD BE APPLIED AT SHIPMENT  
PEEL OFF SHOULD NOT BE ALLOWED,  
DURING TRANSPORTATION



- 材料 (MATERIAL)  
キャリアテープ (CARRIER TAPE) : ポリプロピレン (POLYPROPYLENE)  
トップテープ (TOPTAPE) : PET, PE, PEF  
リール (REEL) : ポリスチレン (PS) <リサイクル材を含む>  
POLYSTYREN (PS) <RECYCLE MATERIAL CONTAINED>

REVISED EC NO: J2014-1862 2014/06/26 DRAWN: JASUNIMA 2014/06/26 CHKD: TAKAHASHI 2014/06/26 APPR: YNOGAWA 2014/07/01	DESCRIPTION	GENERAL TOLERANCES (UNLESS SPECIFIED)		DIMENSION STYLE MM ONLY		SCALE ---	DESIGN UNITS METRIC	THIRD ANGLE PROJECTION	
		10 UNDER	±---	DRAWN BY KNAGUMO	DATE 2013/07/16	TITLE EMBOSSD TAPE PACKAGE FOR 52437-***27			
		10 OVER 30 UNDER	±---	CHECKED BY TAKAHASHI	DATE 2013/07/16				
		30 OVER	±---	APPROVED BY YNOGAWA	DATE 2013/08/02				
A	ANGULAR	±--- °	MATERIAL NO.	DOCUMENT NO.	SHEET NO. 1 OF 3				
DRAFT WHERE APPLICABLE MUST REMAIN WITHIN DIMENSIONS		SEE CHART		SD-52437-026		THIS DRAWING CONTAINS INFORMATION THAT IS PROPRIETARY TO MOLEX INCORPORATED AND SHOULD NOT BE USED WITHOUT WRITTEN PERMISSION			

9 8 7 6 5 4 3 2 1



32	33.5	22.4	15.8	21.4	52437-2991	29
		21.4	14.8	20.4	-2791	27
		20.9	14.3	19.9	-2691	26
		19.9	13.3	18.9	-2491	24
		19.4	12.8	18.4	-2391	23
		18.9	12.3	17.9	-2291	22
24	25.5	17.9	11.3	16.9	-2091	20
		16.9	10.3	15.9	-1891	18
		15.9	9.3	14.9	-1691	16
		15.4	8.8	14.4	-1591	15
		14.9	8.3	13.9	-1491	14
		14.4	7.8	13.4	-1391	13
		13.9	7.3	12.9	-1291	12
		12.9	6.3	11.9	-1091	10
		11.9	5.3	10.9	-0891	8
		11.4	4.8	10.4	-0791	7
10.9	4.3	9.9	52437-0691	6		

SEE SHEET 1

EC NO. J2014-1862  
 DRWN: JASUNIMA 2014/06/26  
 CHKD: KTAKAHASHI 2014/06/26  
 APPR: YNOGAWA 2014/07/01

DESCRIPTION: GENERAL TOLERANCES (UNLESS SPECIFIED)

10 UNDER ± ---  
 10 OVER 30 UNDER ± ---  
 30 OVER ± ---

ANGULAR ± --- °

DRAFT WHERE APPLICABLE MUST REMAIN WITHIN DIMENSIONS

SCALE: ---  
 DIMENSION STYLE: MM ONLY

DESIGN UNITS: METRIC

THIRD ANGLE PROJECTION

DRAWN BY: KNAGUMO DATE: 2013/07/16  
 CHECKED BY: KTAKAHASHI DATE: 2013/07/16  
 APPROVED BY: YNOGAWA DATE: 2013/08/02

MATERIAL NO. SEE CHART

DOCUMENT NO. SD-52437-026

ENG. NO. ENG. NO.

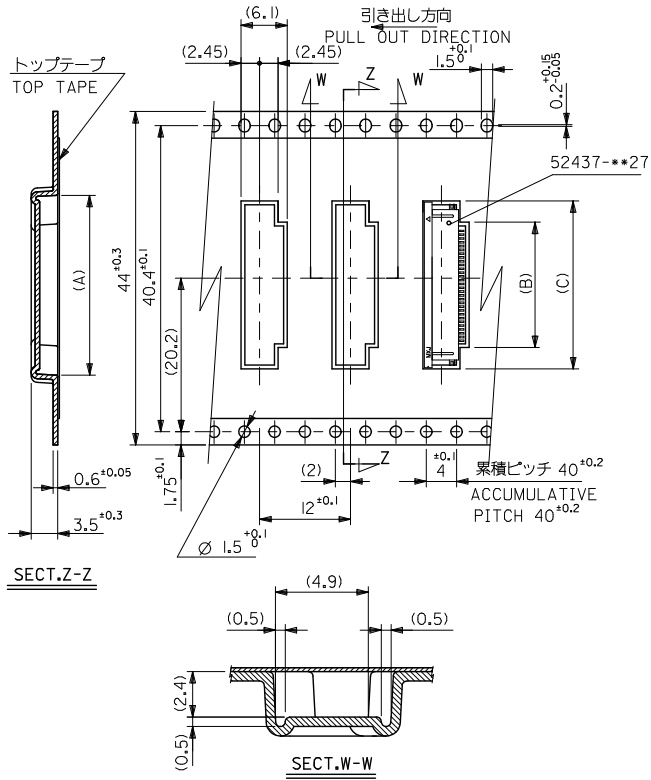
EMBOSSED TAPE PACKAGE FOR 52437-27

**molex**

THIS DRAWING CONTAINS INFORMATION THAT IS PROPRIETARY TO MOLEX INCORPORATED AND SHOULD NOT BE USED WITHOUT WRITTEN PERMISSION

SHEET NO. 2 OF 3

10 9 8 7 6 5 4 3 2 1



4.4mm幅キャリアテープ  
44mm WIDTH CARRIER TAPE

44	45.5	22.9	16.3	21.9	52437-3091	30
キャリアテープ幅 CARRIER TAPE WIDTH	D	(C)	(B)	(A)	ENG. NO.	極致 CIRCUIT
GENERAL TOLERANCES (UNLESS SPECIFIED)		DIMENSION STYLE MM ONLY		SCALE ---	DESIGN UNITS METRIC	THIRD ANGLE PROJECTION
10 UNDER	±---	DRAWN BY KNAGUMO		DATE 2013/07/16	TITLE EMBOSSD TAPR PACKAGE FOR 52437-***27	
10 OVER 30 UNDER	±---	CHECKED BY KTAKAHASHI		DATE 2013/07/16		
30 OVER	±---	APPROVED BY YNOGAWA		DATE 2013/08/02		
ANGULAR ±--- °		MATERIAL NO.		DOCUMENT NO.	SHEET NO.	
DRAFT WHERE APPLICABLE MUST REMAIN WITHIN DIMENSIONS		SEE CHART		SD-52437-026	3 OF 3	
SIZE A3 THIS DRAWING CONTAINS INFORMATION THAT IS PROPRIETARY TO MOLEX INCORPORATED AND SHOULD NOT BE USED WITHOUT WRITTEN PERMISSION						

9 8 7 6 5 4 3 2