



## **Excellent Integrated System Limited**

Stocking Distributor

Click to view price, real time Inventory, Delivery & Lifecycle Information:

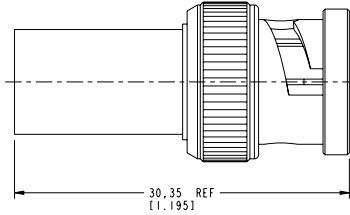
[Amphenol RF](#)  
[031-80108](#)

For any questions, you can email us directly:

[sales@integrated-circuit.com](mailto:sales@integrated-circuit.com)

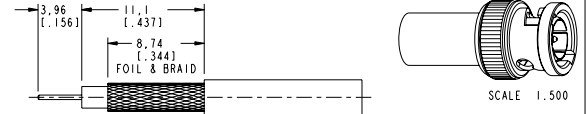
- NOTES:
- MATERIALS AND FINISHES:
    - BODY - PHOSPHOR BRONZE, NICKEL PLATING (.0001" THICK)
    - CONTACT - BRASS, GOLD PLATING (.00003" THICK)
    - FERRULE - BRASS, NICKEL PLATING (.0001" THICK)
    - INSULATOR - PTFE
  - ELECTRICAL:
    - A. IMPEDANCE: 75 OHM
    - B. FREQUENCY RANGE: DC - 4 GHz
    - C. VSWR(RETURN LOSS): 1.3 MAX.
    - D. DIELECTRIC WITHSTANDING VOLTAGE: 1500 VRMS, MIN.
  - MECHANICAL:
    - A. DURABILITY: 500 CYCLES, MIN.
    - B. TEMPERATURE RANGE: -65° C TO +165° C
  - FERRULE TO BE CRIMPED WITH A .324 HEX DIE.  
 CONTACT TO BE CRIMPED WITH A .042 SQUARE DIE  
 OR A 8 PT CRIMPER AMPHENOL NUMBER 227-T1200

SHOWS CABLE ENTRY DIMENSIONS.

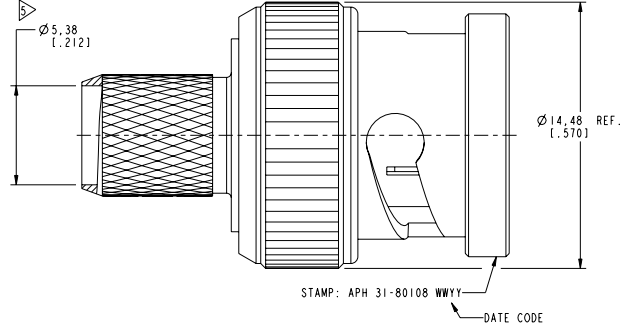
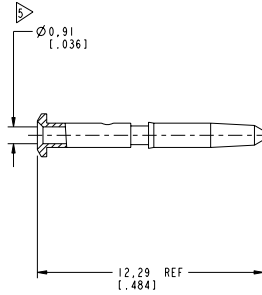
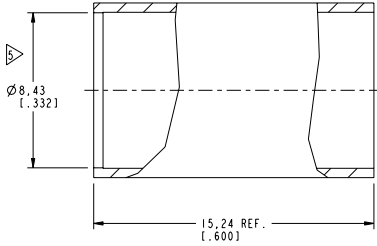


AFTER ASSEMBLY DIMENSIONS

| REVISIONS |   |           |       |       |
|-----------|---|-----------|-------|-------|
| REV       | DESCRIPTION   | DATE      | ECO   | APPR  |
| A         | RELEASE TO MFG  | 4/10/06   | 45950 | MY    |
| B         | NOTE 4 SHY 2 "OR A 12 POINT..... INDENTOR TOOL": .324 WAS .178                      | 5/11/06   | 46083 | CPM   |
| C         | NOTE 4 "8 PT CRIMPER AMPHENOL NUMBER CTL-T1200"                                     | 8/6/07    | 46681 | TC    |
| D         | 227-T1200 WAS CTL-T1200VRD-DM110704011<br>INSIDE SPRING WAS CHANGED\VRD-DM09090201K | 15-Jul-11 | 48649 | DH    |
| E         | STAMP WAS CHANGED\VRD-DM110825011   | 05-Sep-11 | 48757 | SCOTT |



RECOMMENDED  
CABLE STRIPPING DIMENSIONS



**CUSTOMER OUTLINE DRAWING**  
ALL OTHER SHEETS ARE FOR INTERNAL USE ONLY

|   |           |             |           |                             |  |
|---|-----------|-------------|-----------|-----------------------------|--|
| UNLESS OTHERWISE SPECIFIED, DIMENSIONS ARE IN METRIC AND TOLERANCES ARE:<br><0.5mm ±0.05mm 0.5 - 6mm ±0.1mm 6 - 30mm ±0.2mm 30 - 120mm ±0.3mm ANGLES ±1°<br>NOTICE - These drawings, specifications, or other data (1) are, and remain the property of Amphenol Corp. (2) must be returned upon request; and (3) are confidential and not to be disclosed to any person other than those to whom they are given by Amphenol Corp. The furnishing of these drawings, specifications, or other data by Amphenol Corp., or to any other person to anyone for any purpose is not to be regarded by implication or otherwise in any manner licensing, granting rights to permitting such holder or any other person to manufacture, use or sell any product, process or design, patented or otherwise, that may in any way be related to or disclosed by said drawings, specifications, or other data. | MATERIAL  | DRAWN       | DATE      | TITLE                       | Amphenol RF<br>Danbury CT USA, Tainan, Taiwan, Shenzhen, China<br>www.amphenolrf.com |
|   | SEE NOTE  | I. XU       | 25-Aug-11 |                             |  |
|   | REFERENCE | ENGINEER    | DATE      | SCALE: 5.0:1.0 SHEET 2 OF 2 | DRAWING NO. 31-80108   |
|   | FINISH    | G. ANTONINI | 03-Mar-05 | DWG SIZE B REV E            | ITEM NO. 31-80108<br>PART NO. 31-80108   |