

Excellent Integrated System Limited

Stocking Distributor

Click to view price, real time Inventory, Delivery & Lifecycle Information:

[Sumida Corporation](#)

[J14202](#)

For any questions, you can email us directly:

sales@integrated-circuit.com

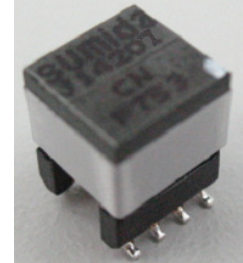


ADSL Transformer <SMD Type: CEP Series>

Type: CEP710B

◆ **Product Description**

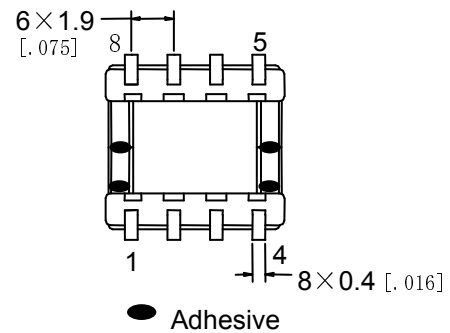
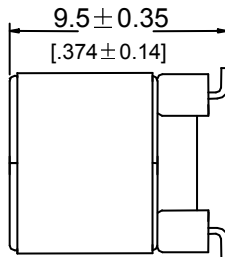
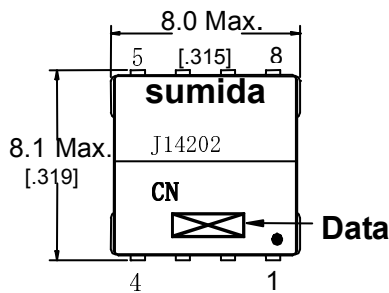
- 8.1 × 8.0mm Max. (L × W), 9.85mm Max. height.
- Custom design is available.



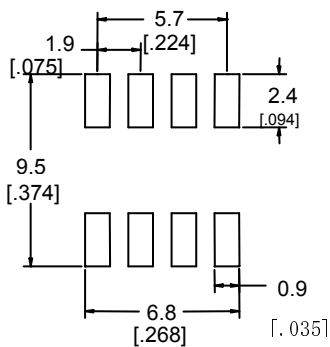
◆ **Feature**

- VDSL line transformer.
- Ideally used in VDSL/VDSL2 CO equipments.
- Approved by Broadcom (BCM6511/6526, BCM6516/6524) and Alcatel.
- RoHS Compliance

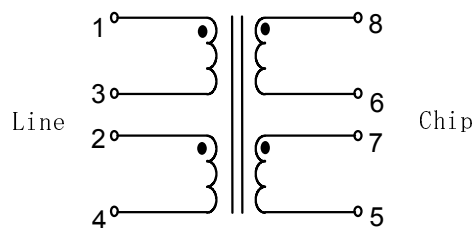
◆ **Dimensions (mm)**



◆ **Land Pattern (mm)**



◆ **Schematics (Bottom)**



◆ **Specification**

Part No.	Inductance (μ H)	Turns ratio	THD (dB) (TYP.)	Insulation	Application
J14202	420 ±10%	2.5: 1	-60dB(30K, 3.0V)	Functional	VDSL2 CO
J14207	420 ±10%	2.5: 1	-60dB(30K, 3.0V)	Functional	VDSL2 CO
J14208	100 ±10%	2.5: 1	-80dB(100KHz, 3.0V)	Functional	VDSL2 CO
J14214	420 ±10%	2: 1	-60dB(30K, 3.0V)	Functional	VDSL2 CO
J14215	100 ±10%	2: 1	-80dB(100KHz, 3.0V)	Functional	VDSL2 CO