



Excellent Integrated System Limited

Stocking Distributor

Click to view price, real time Inventory, Delivery & Lifecycle Information:

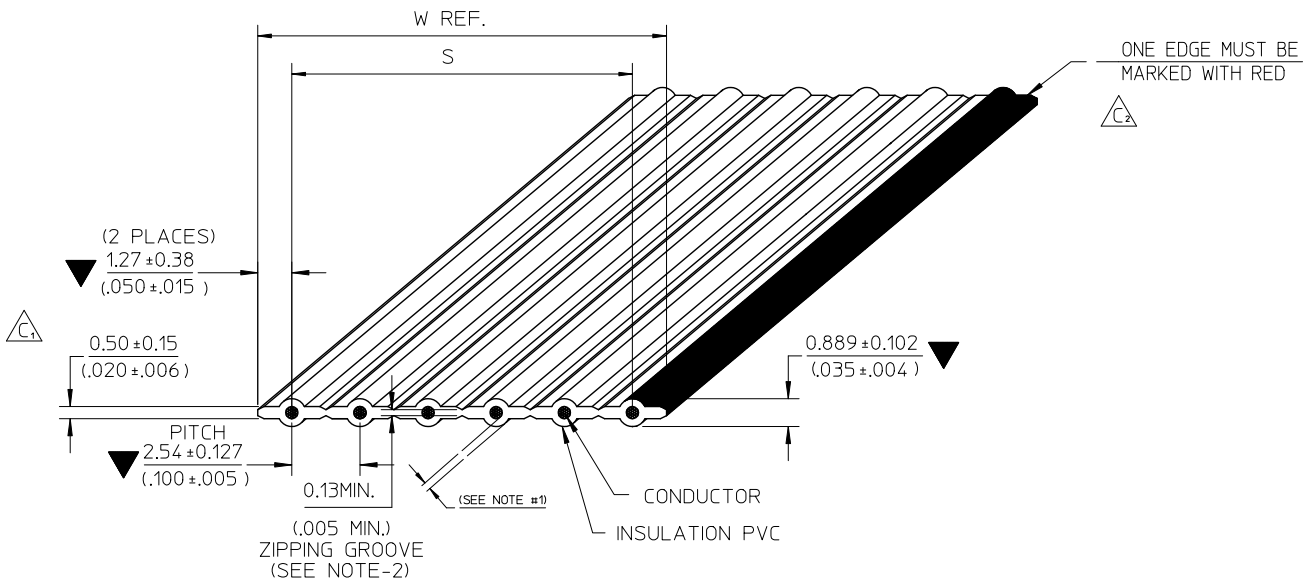
[Molex Connector Corporation](#)

[82-28-6171](#)

For any questions, you can email us directly:

sales@integrated-circuit.com

7 6 5 4 3 2 1



- NOTE :**
1. THE CABLE SHALL HAVE A MINIMUM OF 0.178mm. (.007") THICKNESS INSULATION AT ANY POINT
 2. RIP TEST:
- THE 0.13mm. (.005") ZIPPING GROOVE SHALL BE CAPABLE OF BEING RIPPED BY HAND WITHIN THE RECESS, WITHOUT EXPOSING THE ADJACENT CONDUCTORS
 3. RoHS AND LEAD FREE COMPLIANT
 4. SPECIAL REQUIREMENT: N/A

PRODUCT APPLICATION	
<input checked="" type="checkbox"/>	GENERAL USE
<input type="checkbox"/>	AUTOMOTIVE
<input type="checkbox"/>	MEDICAL DEVICE

<table border="1"> <thead> <tr> <th>REV.</th> <th>EC NO.</th> <th>DETAIL</th> <th>DATE</th> </tr> </thead> <tbody> <tr> <td>C</td> <td>E-10-0371</td> <td>C₂ : REMOVE REELS MFG. IN NOG. C₁ : CHANGE THICKNESS.</td> <td>2010/11/12</td> </tr> <tr> <td>B</td> <td>E-07-0748</td> <td>B₂: ADD NON-OPERATING TEMP. B₁: ADD SOLDERING CONDITION</td> <td>2007/09/27</td> </tr> <tr> <td>A</td> <td>N/A</td> <td>NEW RELEASE</td> <td>2006/07/18</td> </tr> </tbody> </table>	REV.	EC NO.	DETAIL	DATE	C	E-10-0371	C ₂ : REMOVE REELS MFG. IN NOG. C ₁ : CHANGE THICKNESS.	2010/11/12	B	E-07-0748	B ₂ : ADD NON-OPERATING TEMP. B ₁ : ADD SOLDERING CONDITION	2007/09/27	A	N/A	NEW RELEASE	2006/07/18	SEE CHANGE DETAIL EC NO: THL2011-0054 DRWN:CPANSAKHOM 2010/11/12 CHKD:PMEECHAI 2011/01/25 APPR:SVIRATJAPOL 2011/03/31	QUALITY SYMBOLS ▽=3 ▽=0	GENERAL TOLERANCES (UNLESS SPECIFIED)		DIMENSION STYLE MM/IN		SCALE NTS	DESIGN UNITS INCH	THIRD ANGLE PROJECTION
	REV.	EC NO.	DETAIL	DATE																					
	C	E-10-0371	C ₂ : REMOVE REELS MFG. IN NOG. C ₁ : CHANGE THICKNESS.	2010/11/12																					
	B	E-07-0748	B ₂ : ADD NON-OPERATING TEMP. B ₁ : ADD SOLDERING CONDITION	2007/09/27																					
A	N/A	NEW RELEASE	2006/07/18																						
4 PLACES ± --- ± --- 3 PLACES ± --- ± --- 2 PLACES ± --- ± --- 1 PLACE ± --- ± --- ANGULAR ± --- °		DRAWN BY CPANSAKHOM	DATE 2006/07/18	TITLE FCB ROUND CONDUCTOR 2.54MM(.100)CENTER PVC. 28AWG STRANDED TOPCOATED																					
DRAFT WHERE APPLICABLE MUST REMAIN WITHIN DIMENSIONS		CHECKED BY PMEECHAI	DATE 2006/07/18	MOLEX INCORPORATED																					
		APPROVED BY SVIRATJAPOL	DATE 2006/07/18	MATERIAL NO. SEE CHART	DOCUMENT NO. SD-7767-001	SHEET NO. 1 OF 3																			

tb_frame_A4_P_ME_T
Rev. E 2006/04/15

6 5 4 3 2 1

7	6	5	4	3	2	1
---	---	---	---	---	---	---

CHART A DIMENSIONS MM. (INCHES)				SHIPPED ON 100 FT. REELS		
ENG. NO.	NO. OF COND.	DIMENSION S		DIM. W (REF)	ENGINEERING NO.	ORDER NO.
7767-02	2	2.54±0.127	(.100±.005)	5.08 (.200)	7767-02-100B	82-28-6021
7767-03	3	5.08±0.20	(.200±.008)	7.62 (.300)	▲ -03-	▲ 03▲
7767-04	4	7.62±0.30	(.300±.012)	10.16 (.400)	-04-	04
7767-05	5	10.16±0.33	(.400±.013)	12.70 (.500)	-05-	05
7767-06	6	12.70±0.33	(.500±.013)	15.24 (.600)	-06-	06
7767-07	7	15.24±0.33	(.600±.013)	17.78 (.700)	-07-	07
7767-08	8	17.78±0.33	(.700±.013)	20.32 (.800)	-08-	08
7767-09	9	20.32±0.33	(.800±.013)	22.86 (.900)	-09-	09
7767-10	10	22.86±0.33	(.900±.013)	25.40 (1.000)	-10-	10
7767-11	11	25.40±0.33	(1.000±.013)	27.94 (1.100)	-11-	11
7767-12	12	27.94±0.33	(1.100±.013)	30.48 (1.200)	-12-	12
7767-13	13	30.48±0.33	(1.200±.013)	33.02 (1.300)	-13-	13
7767-14	14	33.02±0.33	(1.300±.013)	35.56 (1.400)	-14-	14
7767-15	15	35.56±0.33	(1.400±.013)	38.10 (1.500)	-15-	15
7767-16	16	38.10±0.33	(1.500±.013)	40.64 (1.600)	-16-	16
7767-17	17	40.64±0.33	(1.600±.013)	43.18 (1.700)	-17-	17
7767-18	18	43.18±0.33	(1.700±.013)	45.72 (1.800)	-18-	18
7767-19	19	45.72±0.33	(1.800±.013)	48.26 (1.900)	-19-	19
7767-20	20	48.26±0.33	(1.900±.013)	50.80 (2.000)	▼ -20-	▼ 20▼

ENGINEERING NO.

7767-XX-XXXX
A B C D

- A : CABLE 2.54mm. (.100") CENTERS 28 AWG STRANDED TOPCOATED
- B : CONDUCTOR SIZE (AVAILABILITY 2 THROUGH 20)
- C : CABLE LENGTH 100FT. (30.48M.)
- D : A = INCHES
B = FEET

SEE CHANGE DETAIL EC NO: THL2011-0054 DRWN: CPANSAKHOM 2010/11/12 CHKD: PMEECHAI 2011/01/25 APPR: SVIRAT JAPOL 2011/03/31	QUALITY SYMBOLS ▽ = ▽ =	GENERAL TOLERANCES (UNLESS SPECIFIED)		DIMENSION STYLE MM/IN		SCALE NTS	DESIGN UNITS INCH	THIRD ANGLE PROJECTION	
			mm	INCH	DRAWN BY CPANSAKHOM	DATE 2006/07/18	TITLE FCB ROUND CONDUCTOR 2.54MM(.100)CENTER PVC. 28AWG STRANDED TOPCOATED MOLEX INCORPORATED	DOCUMENT NO. SD-7767-001	SHEET NO. 3 OF 3
		4 PLACES	± ---	± ---	CHECKED BY PMEECHAI	DATE 2006/07/18			
		3 PLACES	± ---	± ---	APPROVED BY SVIRAT JAPOL	DATE 2006/07/18			
2 PLACES	± ---	± ---	MATERIAL NO.	SEE CHART					
1 PLACE	± ---	± ---	ANGULAR ± ---°		DRAFT WHERE APPLICABLE MUST REMAIN WITHIN DIMENSIONS		THIS DRAWING CONTAINS INFORMATION THAT IS PROPRIETARY TO MOLEX INCORPORATED AND SHOULD NOT BE USED WITHOUT WRITTEN PERMISSION		

6	5	4	3	2	1
---	---	---	---	---	---