

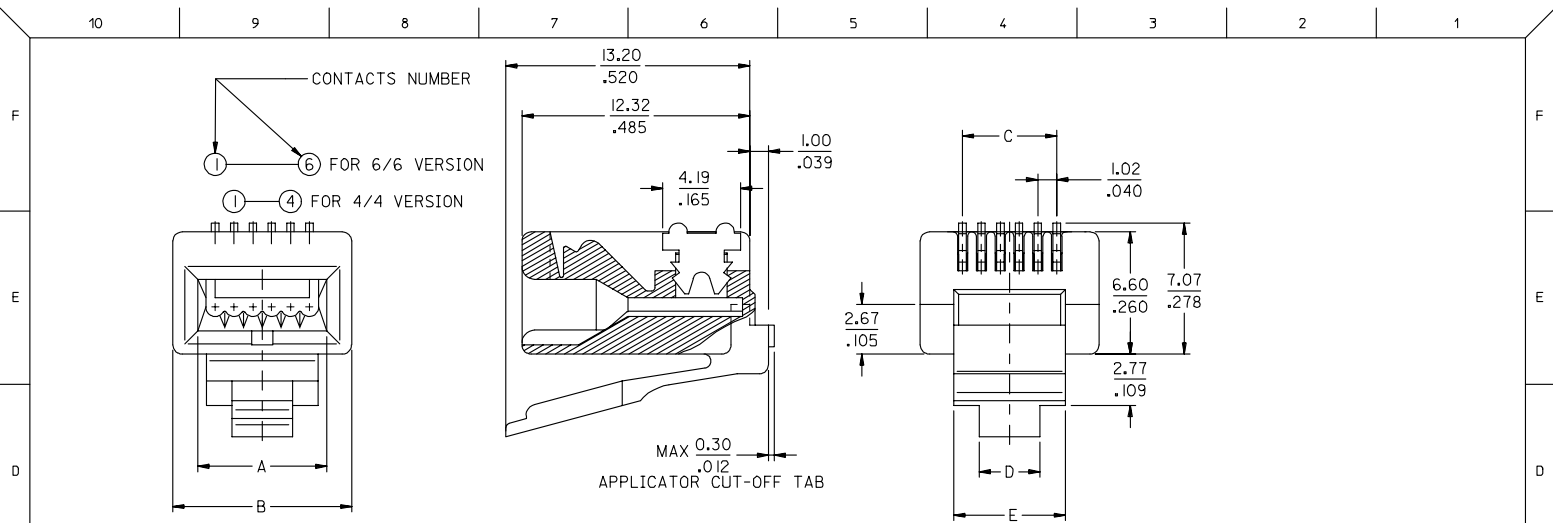
## Excellent Integrated System Limited

Stocking Distributor

Click to view price, real time Inventory, Delivery & Lifecycle Information:

[Molex Connector Corporation](#)  
[90075-0031](#)

For any questions, you can email us directly:  
[sales@integrated-circuit.com](mailto:sales@integrated-circuit.com)



NOTES:

- 1- MATERIAL:  
HOUSING: POLYCARBONATE CLEAR  
TERMINAL: 0.38/.015 THICK PHOSPHOR BRONZE  
PLATING: SEE PLATINGS CHART
- 2- PRODUCT INTENDED TO TERMINATE FLAT OVAL CABLE CONFORMING TO REA BULLETIN 345-80-PE 75 HAVING 0.94/.037 Ø MAXI OVER CONDUCTORS INSULATION
- 3- PRODUCT SPECIFICATION: PS-90075
- 4- APPLICATION SPECIFICATION: AS-90075

| CKTS | NUMBER OF LOADED CONTACTS | PLATING | LOOSE PIECE |        | DIMENSIONS |      |      |      |      |
|------|---------------------------|---------|-------------|--------|------------|------|------|------|------|
|      |                           |         | PART NUMBER | TOOLED | A          | B    | C    | D    | E    |
| 4    | 4                         | 2       | 90075-0027  | YES    | 5.21       | 7.62 | 3.05 | 2.54 | 4.95 |
|      |                           |         |             |        | .205       | .300 | .120 | .100 | .195 |
| 6    | 4                         | 2       | 90075-0035  | YES    | 6.99       | 9.65 | 5.08 | 3.25 | 6.05 |
|      |                           |         |             |        | .275       | .380 |      | .128 | .238 |
| 6    | 6                         | 2       | 90075-0031  | YES    |            |      | .200 |      |      |

| PLATINGS |  |
|----------|--|
| ②        | 0.00127/.000050 MIN GOLD IN CONTACT AREA<br>0.00127/.000050 MIN PURE TIN IN PIERCE AREA<br>BOTH OVER 0.00127/.000050 MIN NICKEL. |

|  |             |                 |   |   |                        |  |                        |                  |
|--|-------------|-----------------|---|---|------------------------|--|------------------------|------------------|
| REMOVED PART #<br>EC NO: E2007-0321<br>DRAWN BY: BRYNES<br>CHKD: APPREMIHONY<br>2006/10/23<br>2006/10/24 | DESCRIPTION | QUALITY SYMBOLS | GENERAL TOLERANCES (UNLESS SPECIFIED)   | DIMENSION STYLE                                   | SCALE                  | DESIGN UNITS   | THIRD ANGLE PROJECTION |                  |
|  |             | ▽=0             | mm INCH   | MM/IN   | 5:1                    | METRIC   | ☉                      |                  |
|  |             | ▽=0             | 4 PLACES ± --- ± ---<br>3 PLACES ± --- ± ---<br>2 PLACES ± --- ± ---<br>1 PLACE ± --- ± --- | DRAWN BY: FB<br>CHECKED BY: TB<br>APPROVED BY: JB | DATE                   | DATE   | DATE                   | TITLE            |
|  |             |                 | ANGULAR ± 2 °   | MATERIAL NO. SEE CHART<br>SIZE A3                 | DOCUMENT NO. SDA-90075 | W.E. TYPE MODULAR PLUG<br>4/4 6/4 AND 6/6<br>FOR OVAL FLAT CABLE<br>MOLEX INCORPORATED |                        | SHEET NO. 2 OF 2 |