

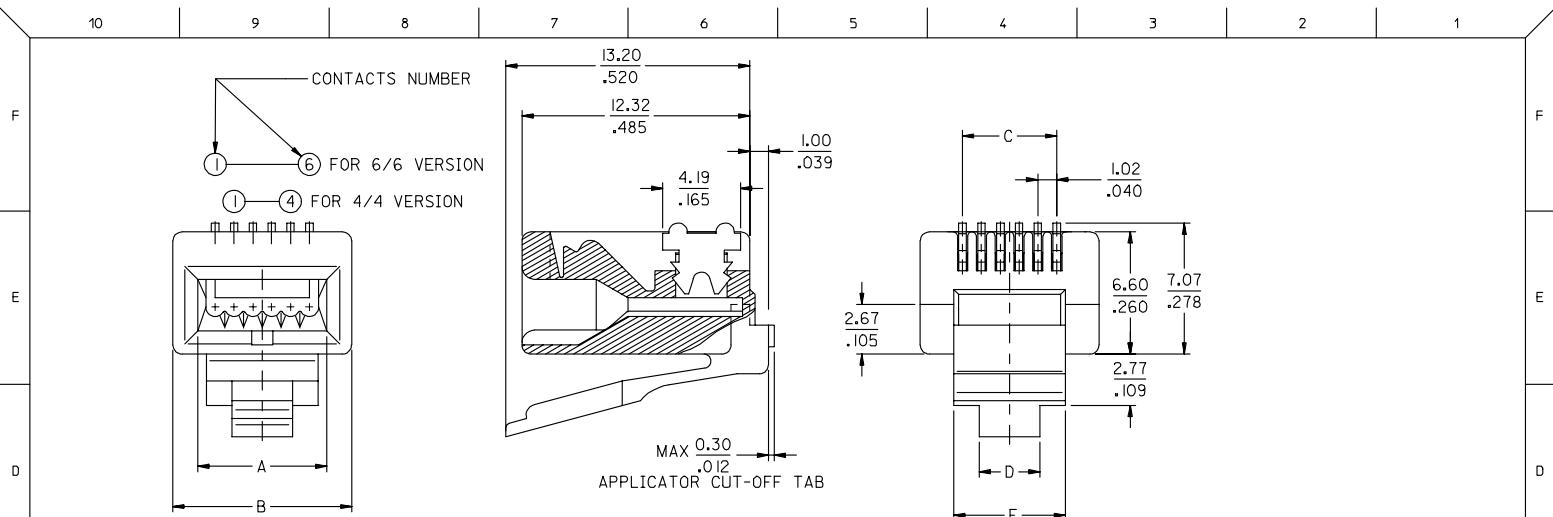
Excellent Integrated System Limited

Stocking Distributor

Click to view price, real time Inventory, Delivery & Lifecycle Information:

[Molex Connector Corporation](#)
[90075-0035](#)

For any questions, you can email us directly:
sales@integrated-circuit.com



NOTES:

- 1- MATERIAL:
HOUSING: POLYCARBONATE CLEAR
TERMINAL: 0.38/.015 THICK PHOSPHOR BRONZE
PLATING: SEE PLATINGS CHART
- 2- PRODUCT INTENDED TO TERMINATE FLAT OVAL CABLE CONFORMING TO REA BULLETIN 345-80-PE 75 HAVING 0.94/.037 Ø MAXI OVER CONDUCTORS INSULATION
- 3- PRODUCT SPECIFICATION: PS-90075
- 4- APPLICATION SPECIFICATION: AS-90075

PLATINGS	
②	0.00127/.000050 MIN GOLD IN CONTACT AREA 0.00127/.000050 MIN PURE TIN IN PIERCE AREA BOTH OVER 0.00127/.000050 MIN NICKEL.

CKTS	NUMBER OF LOADED CONTACTS	PLATING	LOOSE PIECE		DIMENSIONS				
			PART NUMBER	TOOLED	A	B	C	D	E
4	4	2	90075-0027	YES	5.21	7.62	3.05	2.54	4.95
					.205	.300	.120	.100	.195
6	4	2	90075-0035	YES	6.99	9.65	5.08	3.25	6.05
					.275	.380		.128	.238
	6	2	90075-0031	YES			.200		

REMOVED PART # EC NO: E2007-0321 DRAWN BY: BRYNES CHKD: APPREMIHONY 2006/10/23 2006/10/24	DESCRIPTION	QUALITY SYMBOLS	GENERAL TOLERANCES (UNLESS SPECIFIED)	DIMENSION STYLE	SCALE	DESIGN UNITS	THIRD ANGLE PROJECTION	
		▽=0	mm INCH	MM/IN	5:1	METRIC	☉	
		▽=0	4 PLACES ± --- ± --- 3 PLACES ± --- ± --- 2 PLACES ± --- ± --- 1 PLACE ± --- ± ---	DRAWN BY DATE FB	TITLE	W.E. TYPE MODULAR PLUG 4/4 6/4 AND 6/6 FOR OVAL FLAT CABLE MOLEX INCORPORATED		
		ANGULAR ± 2 °	CHECKED BY DATE TB	APPROVED BY DATE JB				
		DRAFT WHERE APPLICABLE MUST REMAIN WITHIN DIMENSIONS	MATERIAL NO. SEE CHART	DOCUMENT NO. SDA-90075	SHEET NO. 2 OF 2			
			SIZE A3	THIS DRAWING CONTAINS INFORMATION THAT IS PROPRIETARY TO MOLEX INCORPORATED AND SHOULD NOT BE USED WITHOUT WRITTEN PERMISSION				