

Excellent Integrated System Limited

Stocking Distributor

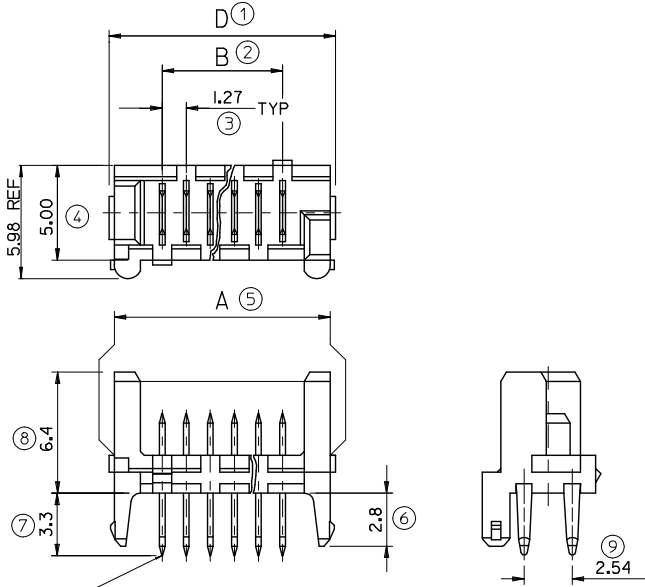
Click to view price, real time Inventory, Delivery & Lifecycle Information:

[Molex Connector Corporation](#)
[0903250004](#)

For any questions, you can email us directly:

sales@integrated-circuit.com

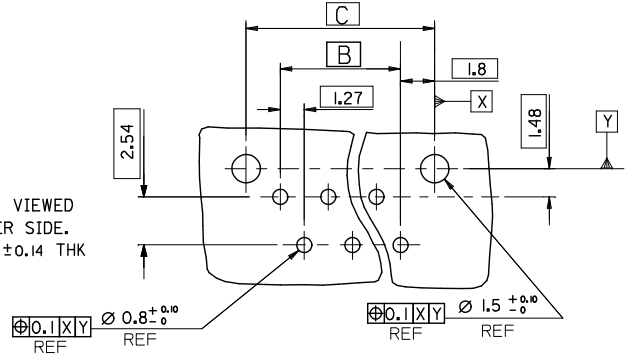
10 9 8 7 6 5 4 3 2 1



90325 - **26	26	36.80	31.75	35.35	37.26
- **24	24	34.26	29.21	32.81	34.72
- **22	22	31.72	26.67	30.27	32.18
- **20	20	29.18	24.13	27.73	29.64
- **18	18	26.64	21.59	25.19	27.10
- **16	16	24.10	19.05	22.65	24.56
- **14	14	21.56	16.51	20.11	22.02
- **12	12	19.02	13.97	17.57	19.48
- **10	10	16.48	11.43	15.03	16.94
- **08	8	13.94	8.89	12.49	14.40
- **06	6	11.40	6.35	9.95	11.86
90325 - **04	4	8.86	3.81	7.41	9.32
PART NO.	NO. OF CKTS	DIM. A	DIM. B	DIM. C	DIM. D

CIRCUIT No. 1 90325- * * * *
 — CIRCUIT SIZE 04 CKT TO 26 CKT
 0 = HOUSING : COLOUR BLACK
 9 = HOUSING : CUSTOMER SPECIFIC (COLOUR BLACK)
 0= 3-5um TIN ASSY
 3= 0.6um PALLADIUM NICKEL ASSY
 5= NON STANDARD VOIDED OPTION SEE SHEET 2 TUBED
 6= ROUND PEG WITH KINKS OPTION SEE SHEET 3
 7= 0.6um PALLADIUM NICKEL, TUBED
 9= 3-5um TIN ASSY TUBED

PCB LAYOUT VIEWED FROM SOLDER SIDE. BOARD 1.60±0.14 THK



INSPECTION NUMBERS USED ON SHEET 1: 1-20
 LAST INSPECTION NUMBER USED: 9

NOTES:
 1. HOUSING MATL. POLYESTER PBT 15% GLASS FILLED TO UL94 V-0.
 2. TER. MATL. BRASS 0.28 THK
 PLATING, TIN: 1.27um MIN NICKEL UNDER 3-5um TIN
 PLATING PALLADIUM NICKEL (PdNi): 1.27um MIN. NICKEL UNDER 3-5um SELECTIVE TIN AND 0.6um PdNi UNDER 0.05um GOLD FLASH
 3. CONFORMS TO PRODUCT SPECIFICATION PS-99020-0011
 4. PACKAGING SPECIFICATION: PK-90325-001

REMOVED GOLD OPTION	2011/10/27
EC NO. PG2012-0576	2012/03/29
CHKD: SINGREEVY	2012/07/17
APPR: EFULAN	
REV	DESCRIPTION
AR	

QUALITY SYMBOLS ▽=0 ▽=0	GENERAL TOLERANCES (UNLESS SPECIFIED)		DIMENSION STYLE MM ONLY		SCALE 5:1	DESIGN UNITS METRIC	THIRD ANGLE PROJECTION
		mm	INCH	DRAWN BY DMCN	DATE 2001/05/29	TITLE HEADER ASSEMBLY	
	4 PLACES	± ---	± ---	CHECKED BY ROCONNOR	DATE 2001/05/29	MATERIAL NO. MILWHITE	
	3 PLACES	± ---	± ---	APPROVED BY MILWHITE	DATE 2001/05/29	DOCUMENT NO. SDA-90325	
	2 PLACES	± 0.20	± ---	MATERIAL NO. SEE CHART			
	1 PLACE	± 0.20	± ---	DOCUMENT NO. SDA-90325			
	ANGULAR ±1/2°		MATERIAL NO. SEE CHART				
DRAFT WHERE APPLICABLE MUST REMAIN WITHIN DIMENSIONS		SIZE A3					
THIS DRAWING CONTAINS INFORMATION THAT IS PROPRIETARY TO MOLEX INCORPORATED AND SHOULD NOT BE USED WITHOUT WRITTEN PERMISSION							

9 8 7 6 5 4 3 2 1