

## Excellent Integrated System Limited

Stocking Distributor

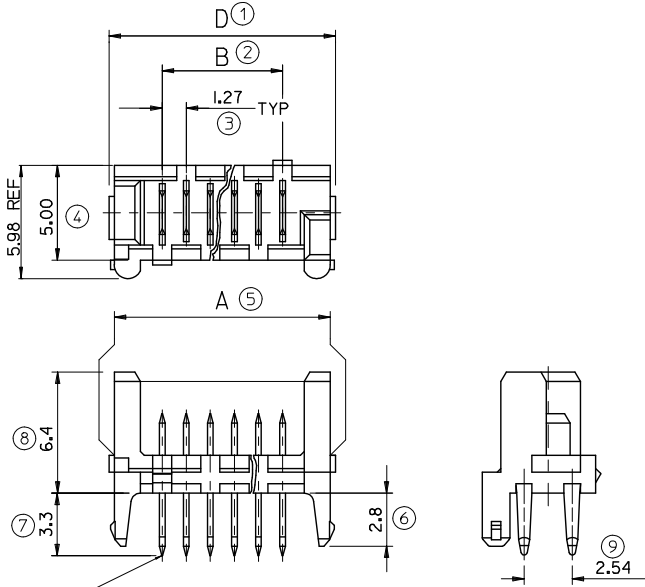
Click to view price, real time Inventory, Delivery & Lifecycle Information:

[Molex Connector Corporation](#)  
[90325-3016](#)

For any questions, you can email us directly:

[sales@integrated-circuit.com](mailto:sales@integrated-circuit.com)

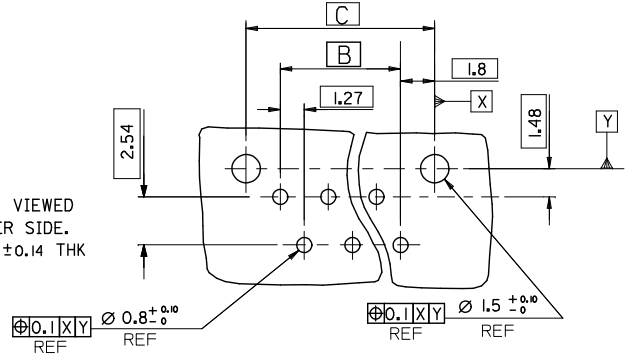
10 9 8 7 6 5 4 3 2 1



90325 - **26	26	36.80	31.75	35.35	37.26
- **24	24	34.26	29.21	32.81	34.72
- **22	22	31.72	26.67	30.27	32.18
- **20	20	29.18	24.13	27.73	29.64
- **18	18	26.64	21.59	25.19	27.10
- **16	16	24.10	19.05	22.65	24.56
- **14	14	21.56	16.51	20.11	22.02
- **12	12	19.02	13.97	17.57	19.48
- **10	10	16.48	11.43	15.03	16.94
- **08	8	13.94	8.89	12.49	14.40
- **06	6	11.40	6.35	9.95	11.86
90325 - **04	4	8.86	3.81	7.41	9.32
PART NO.	NO. OF CKTS	DIM. A	DIM. B	DIM. C	DIM. D

CIRCUIT No. 1 90325-\*\*\*  
 --- CIRCUIT SIZE 04 CKT TO 26 CKT  
 0 = HOUSING : COLOUR BLACK  
 9 = HOUSING : CUSTOMER SPECIFIC (COLOUR BLACK)  
 0= 3-5um TIN ASSY  
 3= 0.6um PALLADIUM NICKEL ASSY  
 5= NON STANDARD VOIDED OPTION SEE SHEET 2 TUBED  
 6= ROUND PEG WITH KINKS OPTION SEE SHEET 3  
 7= 0.6um PALLADIUM NICKEL, TUBED  
 9= 3-5um TIN ASSY TUBED

PCB LAYOUT VIEWED FROM SOLDER SIDE. BOARD 1.60±0.14 THK



INSPECTION NUMBERS USED ON SHEET 1: 1-20  
 LAST INSPECTION NUMBER USED: 9

**NOTES:**  
 1. HOUSING MATL. POLYESTER PBT 15% GLASS FILLED TO UL94 V-0.  
 2. TER. MATL. BRASS 0.28 THK  
 PLATING, TIN: 1.27um MIN NICKEL UNDER 3-5um TIN  
 PLATING PALLADIUM NICKEL (PdNi): 1.27um MIN. NICKEL UNDER 3-5um SELECTIVE TIN AND 0.6um PdNi UNDER 0.05um GOLD FLASH  
 3. CONFORMS TO PRODUCT SPECIFICATION PS-99020-0011  
 4. PACKAGING SPECIFICATION: PK-90325-001

REVISIONS REV. DESCRIPTION AR	QUALITY SYMBOLS ▽=0 ▽=0	GENERAL TOLERANCES (UNLESS SPECIFIED) 4 PLACES ± --- ± --- 3 PLACES ± --- ± --- 2 PLACES ± 0.20 ± --- 1 PLACE ± 0.20 ± --- ANGULAR ± 1/2°	DIMENSION STYLE MM ONLY	SCALE 5:1	DESIGN UNITS METRIC	THIRD ANGLE PROJECTION
	DRAWN BY DMCN	DATE 2001/05/29	TITLE HEADER ASSEMBLY	MOLEX INCORPORATED		
DRAFT WHERE APPLICABLE MUST REMAIN WITHIN DIMENSIONS		MATERIAL NO. SEE CHART	DOCUMENT NO. SDA-90325	SHEET NO. 1 OF 3		

9 8 7 6 5 4 3 2 1