

Excellent Integrated System Limited

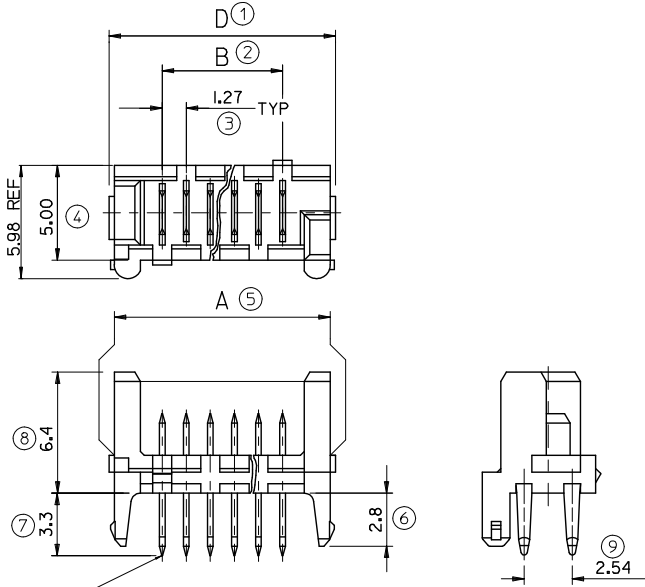
Stocking Distributor

Click to view price, real time Inventory, Delivery & Lifecycle Information:

[Molex Connector Corporation](#)
[90325-3020](#)

For any questions, you can email us directly:
sales@integrated-circuit.com

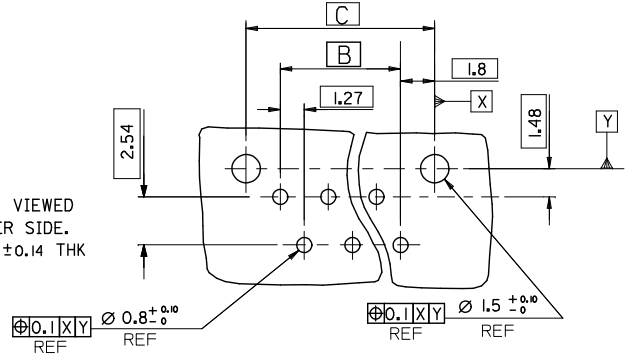
10 9 8 7 6 5 4 3 2 1



| | | | | | |
|--------------|-------------|--------|--------|--------|--------|
| 90325 - **26 | 26 | 36.80 | 31.75 | 35.35 | 37.26 |
| - **24 | 24 | 34.26 | 29.21 | 32.81 | 34.72 |
| - **22 | 22 | 31.72 | 26.67 | 30.27 | 32.18 |
| - **20 | 20 | 29.18 | 24.13 | 27.73 | 29.64 |
| - **18 | 18 | 26.64 | 21.59 | 25.19 | 27.10 |
| - **16 | 16 | 24.10 | 19.05 | 22.65 | 24.56 |
| - **14 | 14 | 21.56 | 16.51 | 20.11 | 22.02 |
| - **12 | 12 | 19.02 | 13.97 | 17.57 | 19.48 |
| - **10 | 10 | 16.48 | 11.43 | 15.03 | 16.94 |
| - **08 | 8 | 13.94 | 8.89 | 12.49 | 14.40 |
| - **06 | 6 | 11.40 | 6.35 | 9.95 | 11.86 |
| 90325 - **04 | 4 | 8.86 | 3.81 | 7.41 | 9.32 |
| PART NO. | NO. OF CKTS | DIM. A | DIM. B | DIM. C | DIM. D |

CIRCUIT No. 1 90325- * * * *
 — CIRCUIT SIZE 04 CKT TO 26 CKT
 0 = HOUSING : COLOUR BLACK
 9 = HOUSING : CUSTOMER SPECIFIC (COLOUR BLACK)
 0= 3-5um TIN ASSY
 3= 0.6um PALLADIUM NICKEL ASSY
 5= NON STANDARD VOIDED OPTION SEE SHEET 2 TUBED
 6= ROUND PEG WITH KINKS OPTION SEE SHEET 3
 7= 0.6um PALLADIUM NICKEL, TUBED
 9= 3-5um TIN ASSY TUBED

PCB LAYOUT VIEWED FROM SOLDER SIDE. BOARD 1.60±0.14 THK



INSPECTION NUMBERS USED ON SHEET 1: 1-20
 LAST INSPECTION NUMBER USED: 9

NOTES:
 1. HOUSING MATL. POLYESTER PBT 15% GLASS FILLED TO UL94 V-0.
 2. TER. MATL. BRASS 0.28 THK
 PLATING, TIN: 1.27um MIN NICKEL UNDER 3-5um TIN
 PLATING PALLADIUM NICKEL (PdNi): 1.27um MIN. NICKEL UNDER 3-5um SELECTIVE TIN AND 0.6um PdNi UNDER 0.05um GOLD FLASH
 3. CONFORMS TO PRODUCT SPECIFICATION PS-99020-0011
 4. PACKAGING SPECIFICATION: PK-90325-001

| | | |
|---|-------------------------------|-------------------|
| REMOVED GOLD OPTION DEC NO: PG2012-0576 DRAWN BY: 2011/10/27 CHKD: SINGREEVY 2012/03/29 APPR: EFULAN 2012/07/17 | QUALITY SYMBOLS ▽=0 ▽=0 | DESCRIPTION AR |
|---|-------------------------------|-------------------|

| | | | | | | |
|--|--------------|----------------------------|------|---|------------------------|---------------------------|
| GENERAL TOLERANCES (UNLESS SPECIFIED) | | DIMENSION STYLE MM ONLY | | SCALE 5:1 | DESIGN UNITS METRIC | THIRD ANGLE PROJECTION |
| 4 PLACES | ± --- ± --- | mm | INCH | DRAWN BY DMCN | DATE 2001/05/29 | TITLE HEADER ASSEMBLY |
| 3 PLACES | ± --- ± --- | | | CHECKED BY ROCONNOR | DATE 2001/05/29 | |
| 2 PLACES | ± 0.20 ± --- | | | APPROVED BY MWILHITE | DATE 2001/05/29 | |
| 1 PLACE | ± 0.20 ± --- | | | MATERIAL NO. SEE CHART | | DOCUMENT NO. SDA-90325 |
| ANGULAR ±1/2° | | | | MATERIAL NO. SEE CHART | | DOCUMENT NO. SDA-90325 |
| DRAFT WHERE APPLICABLE MUST REMAIN WITHIN DIMENSIONS | | SIZE A3 | | THIS DRAWING CONTAINS INFORMATION THAT IS PROPRIETARY TO MOLEX INCORPORATED AND SHOULD NOT BE USED WITHOUT WRITTEN PERMISSION | | SHEET NO. 1 OF 3 |

9 8 7 6 5 4 3 2 1