

Excellent Integrated System Limited

Stocking Distributor

Click to view price, real time Inventory, Delivery & Lifecycle Information:

[Omron Automation & Safety](#)
[44510-2036](#)

For any questions, you can email us directly:
sales@integrated-circuit.com

SR203M and SR203AM

Rev. 2.06



Conforms to EN60204-1, EN954-1, ISOTR 12100
 UL and C-UL listed, BG approved



H
 safety monitoring relays

SR203M and SR203AM

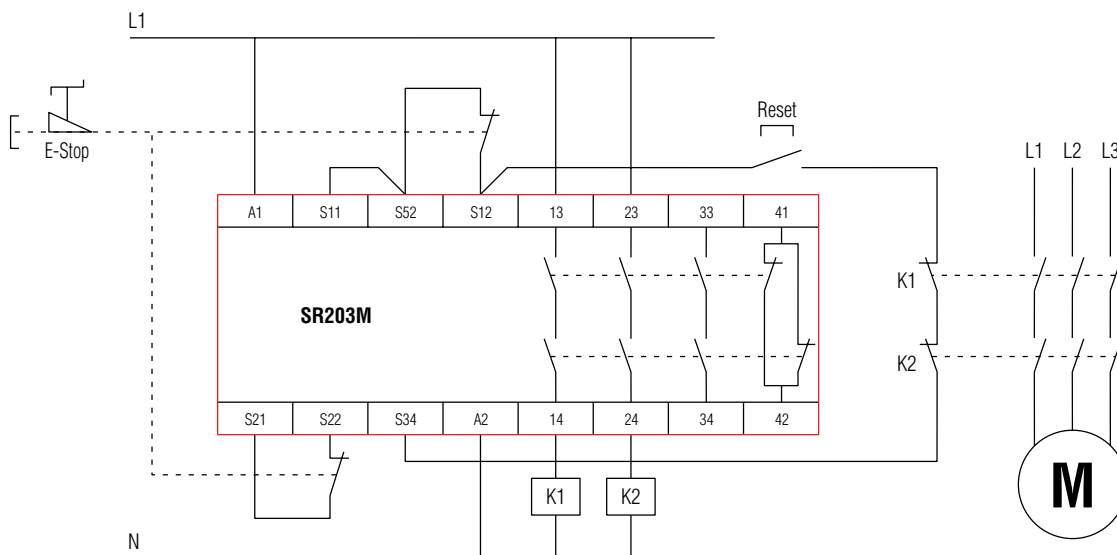
Dual Channel Safety Monitoring Relay

- Power requirements—the SR203M/A will accept 24 VAC/DC, 115 VAC, or 230 VAC
- Inputs—the SR203M/A will accept single or dual N/C inputs or dual PNP inputs from a light curtain
- Outputs—the SR203M/A has 3 N/O outputs to route power to the coils of power contactors, plus 1 N/C auxiliary output for signaling purposes
- External Device Monitoring (EDM) is provided with a N/C loop between S12 and S34 on the SR203M/A
- Monitored manual or auto-manual/manual reset modes are available on the SR203M/A
- The SR203M/A have removable terminal blocks

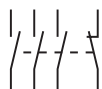
A **Go to the Engineering Guide**
 For in-depth information on safety standards and use.

SR203M and SR203AM

Application



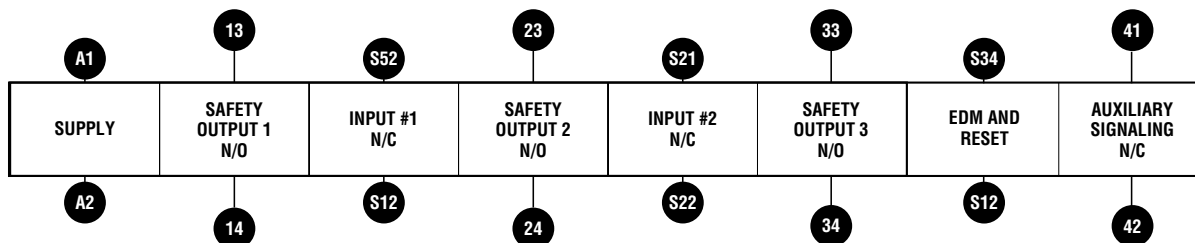
Output Contact Arrangements



Terminal Pin Assignments

14	⊗	⊗	S21	A1	⊗	⊗	13
24	⊗	⊗	S22	S11	⊗	⊗	23
34	⊗	⊗	S34	S52	⊗	⊗	33
42	⊗	⊗	A2	S12	⊗	⊗	41

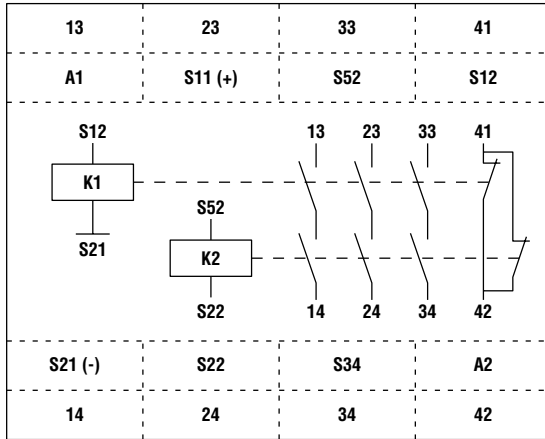
Terminal Connections



H
safety monitoring relays

SR203M and SR203AM

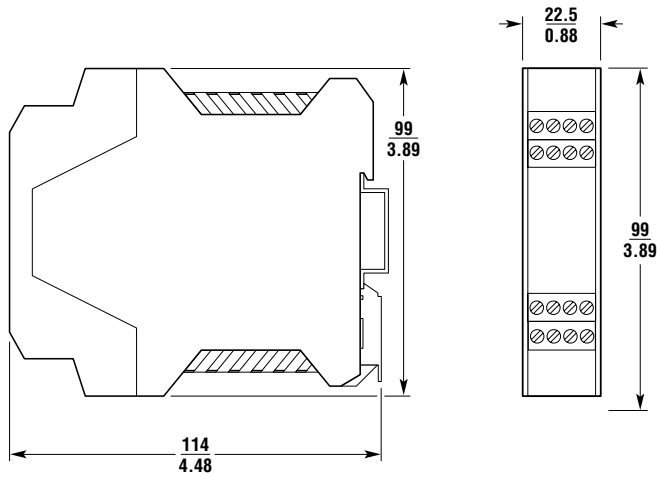
■ Block Diagram



H
safety monitoring relays

■ Dimensions — mm/in.

SR203M/A



A Go to the Engineering Guide
 For in-depth information on safety standards and use.

SR203M and SR203AM

■ Specifications

Electrical	All Models	SR203M01	SR203M02	SR203M03
		SR203AM01	SR203AM02	SR203AM03
Power Supply:	±10%, 50-60 Hz	24 VAC/DC	115 VAC	230 VAC
Power Consumption:	Approx. 2 W			
Safety Inputs:	1 N/C or 2 N/C or 2 PNP (light curtain)			
Outputs:	3 N/O safety, 1 N/C auxiliary			
Output Rating AC:	Inductive AC-15, 5 A/230 VAC			
Output Rating DC:	Inductive DC-13, 3 A/24 VDC			
Min Switched Current/Voltage:	10 mA/10 V			
Impulse Withstand Voltage:	2500 V			
Max Drop-Out Time:	15 ms (while energized)			
Max Output Fuse:	10 A quick-acting or 6 A slow-acting			
Reset Mode:	Monitored manual (SR203M) or auto/manual (SR203A)			
External Device Monitoring (EDM):	N/C loop S12-S34			
Mechanical				
Mounting:	35 mm (1.38 in.) DIN rail			
Case Material:	Polyamide PA6.6			
Max Wire Size:	0.2 to 4 mm ² (24-12 AWG)			
Weight:		210 g (7.4 oz.)	260 g (9.2 oz.)	260 g (9.2 oz.)
Color:	Red			
External Switches:	None			
Indication:	Green = Power, Green = CH1 Closed, Green = CH2 Closed			
Mechanical Life:	2 x 10 ⁶ operations			
Environmental				
Enclosure Protection:	IP20 terminals, IP40 (NEMA 1) housing			
Operating Temperature:	-5 to 55°C (23 to 131°F)			
Humidity:	90% RH			
Compliance				
Standards:	EN 60204-1, EN 954-1, ISO TR12100			
Approvals/Listings:	CE marked for all applicable directives, BG, UL and C-UL			
Safety Category:	Cat. 4 per EN954-1 (SR203 internal operation)			

Specifications are subject to change without notice.

Note: The safety contacts of the STI switches are described as normally closed (N/C)—i.e., with the guard closed, actuator in place, and the machine able to be started.

■ Ordering

Model	Supply	Inputs	Outputs	Auxiliary	Part No.
SR203AM01	24 VAC/DC	2 N/C	3 N/O	1 N/C	44510-2031
SR203AM02	115 VAC	2 N/C	3 N/O	1 N/C	44510-2032
SR203AM03	230 VAC*	2 N/C	3 N/O	1 N/C	44510-2033
SR203M01	24 VAC/DC	2 N/C	3 N/O	1 N/C	44510-2034
SR203M02	115 VAC	2 N/C	3 N/O	1 N/C	44510-2035
SR203M03	230 VAC*	2 N/C	3 N/O	1 N/C	44510-2036

*230 VAC units are available on special order. Minimum quantities may apply.