

Excellent Integrated System Limited

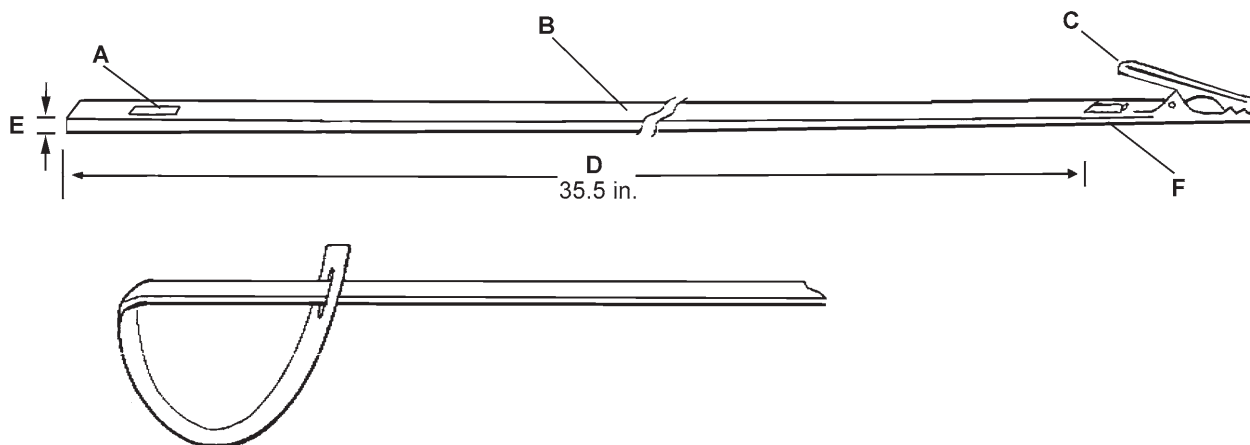
Stocking Distributor

Click to view price, real time Inventory, Delivery & Lifecycle Information:

[Desco](#)
[14401](#)

For any questions, you can email us directly:

sales@integrated-circuit.com



Description:

Lightweight disposable wrist strap, ideal for field service applications. One size fits all. The static dissipative vinyl has a surface resistance of 10^7 ohms, which yields an effective resistance to ground.

Applications:

The disposable wrist strap is ideal for plant visitors and short term workers. Because of its low cost, it can also be shipped with loaded PC boards and other sensitive materials to provide the means for the field service technician to take appropriate ESD precautions.

Key:

- A. Adjustable wrist strap portion with break-away feature.
- B. Material, vinyl static dissipative navy blue (both sides).
- C. Mini alligator clip to attach to ground.
- D. Ribbon length: 35.5 inches.
- E. Thickness of material: 15 mils +/- 10%.
- F. Mini alligator clip is crimped to the ribbon.
- G. Flame resistant
- H. Total resistance from clip to adjustable portion 10^7 ohms.

RoHS Compliance Statement

None of the following materials are intentionally added in manufacturing this product: lead, mercury, cadmium, hexavalent chromium, polybrominated biphenyls (PBB) or polybrominated diphenyl ethers (PBDE) as outlined in the Directive 2002/95/EC Article 4.1. See Desco Industries Inc. letter on-line at Desco.com.



Made in America



WRIST STRAP, VINYL, DISPOSABLE

DESCO

DESCO WEST: 3651 WALNUT AVE., CHINO, CA 91710 WEB SITE: www.desco.com
PHONE (909) 627-8178 FAX (909) 627-7449
DESCO EAST: 90 HUDSON RD, CANTON, MA 02021-1407
PHONE (781) 821-8370 FAX (781) 575-0172

DRAWING NUMBER
14401

DATE:
7/06