

## Excellent Integrated System Limited

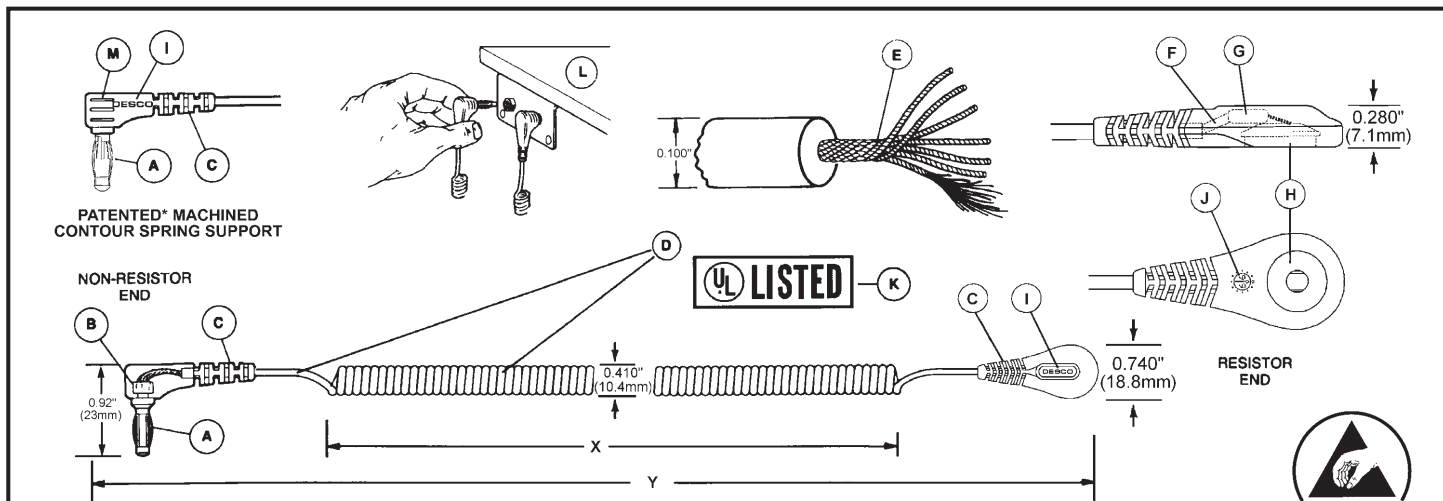
Stocking Distributor

Click to view price, real time Inventory, Delivery & Lifecycle Information:

[Desco](#)  
[91095](#)

For any questions, you can email us directly:

[sales@integrated-circuit.com](mailto:sales@integrated-circuit.com)



- A. Patented\* barrel type banana plug with machined contour spring support. Fits industry standard banana jack  $\geq .157"$ . Will maintain greater than 1 pound disengagement force over the life of the cord.
- B. Crimped termination to stranded conductor.
- C. Thermoplastic elastomer strain relief molded on. Bending Life Test average  $>1,000,000$  cycles per ANSI/ESD S20.20 (Tested per ESD S1.1). Break load average 30 pounds.
- D. Relaxed retraction coil cord produces less tug force on wearer's wrist. Wire insulation black color PVC. Break load average 30 pounds.
- E. Tinsel conductor. Consisting of polyester wrapped with copper. High flex life. Equivalent is 29 gauge (cir mil and/or Ohms).
- F. Autosplice brass crimp secures conductors to resistor lead and provides stress relief for resistor.
- G. One megohm  $\pm 5\%$ , 1/4 watt, series resistor limits current for operator safety.
- H. Spring loaded 4mm medical snap socket. Spring separation  $.125" - .165"$ . Provides 1-5 pound breakaway from  $.160"$  snap stud (ESD S1.1). Compatible with most major brands.

- I. Desco logo molded in compliance with ESD S1.1.
- J. Date coded with date of manufacture. Arrow points to month of manufacture (12:00 = December), numerals indicate the year (03=2003).
- K. Underwriters Laboratory Listing 90P1C when used with Desco 09025, 09026, 09027, 09028, 09041, 09043, 09044, 09045, or 14840 wristbands.
- L. Right angle design allows cord to hang out of the way of chairs and carts. Swivels on banana barrel for less strain - extending the life of the cord.
- M. Ribbed molding assists grasping of right angle banana plug.

ITEM	Retracted Length		Extended Length	
	X	Y	Nominal	Max
91095	12"	22"	6'	8.5'



Made in America

\*US Patent 5,951,337

**GROUND CORD, WRIST STRAP, RELAXED RETRACTION, COILED, RIGHT ANGLE**

**DESCO**

DESCO WEST: 3651 WALNUT AVE., CHINO, CA 91710 WEB SITE: www.desco.com  
 PHONE (909) 627-8178 FAX (909) 627-7449  
 DESCO EAST: 90 HUDSON RD, CANTON, MA 02021-1407  
 PHONE (781) 821-8370 FAX (781) 575-0172

**DRAWING NUMBER**  
91095

**DATE:**  
6/06