

## **Excellent Integrated System Limited**

Stocking Distributor

Click to view price, real time Inventory, Delivery & Lifecycle Information:

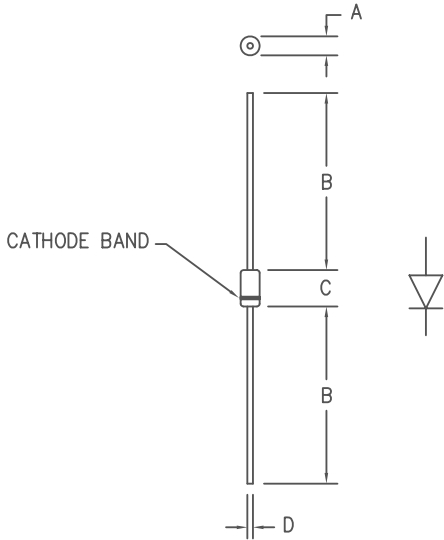
[Microsemi Commercial Components](#)

[MS104/TR12](#)

For any questions, you can email us directly:

[sales@integrated-circuit.com](mailto:sales@integrated-circuit.com)

# 1 Amp Schottky Rectifier MS104 — MS106



Dim.	Inches		Millimeter		Notes
	Minimum	Maximum	Minimum	Maximum	
A	.081	.107	2.057	2.718	Dia.
B	1.10	---	27.94	---	
C	.160	.205	4.064	5.207	
D	.028	.034	.711	.864	Dia.

PLASTIC D041

Microsemi Catalog Number	Industry Part Number	Working Peak Reverse Voltage	Repetitive Peak Reverse Voltage
MS104		40V	40V
MS105	MBR150	50V	50V
MS106	MBR160 SR106	60V	60V

- Schottky Barrier Rectifier
- Guard Ring Protection
- 175°C Junction Temperature
- VRRM 40 to 60 Volts

### Electrical Characteristics

Average forward current	$I_F(AV)$ 1.0 Amps	$T_L = 123^\circ C$ Square wave, $R_{\theta JL} = 25^\circ C/W$ , $L = 1/4"$
Maximum surge current	$I_{FSM}$ 50 Amps	8.3ms, half sine, $T_J = 175^\circ C$
Max peak forward voltage	$V_{FM}$ .69 Volts	$I_{FM} = 1.0A; T_J = 25^\circ C^*$
Max peak reverse current	$I_{RM}$ 100 $\mu A$	$V_{RRM}, T_J = 25^\circ C$
Typical junction capacitance	$C_J$ 53pF	$V_R = 5.0V, T_J = 25^\circ C$

\*Pulse test: Pulse width 300  $\mu sec$ , Duty cycle 2%

### Thermal and Mechanical

Storage temperature range	$T_{STG}$	-55°C to 175°C
Operating junction temp range	$T_J$	-55°C to 175°C
Maximum thermal resistance	$L = 1/4"$ $R_{\theta JL}$	25°C/W Junction to Lead
Weight		.011 ounces (0.34 grams) typical



8700 East Thomas Road, P.O. Box 1390  
Scottsdale, AZ 85252  
PH: (480) 941-6300  
FAX: (480) 947-1503  
www.microsemi.com

05-17-07 Rev. 4

# MS104 — MS106

Figure 1  
 Typical Forward Characteristics

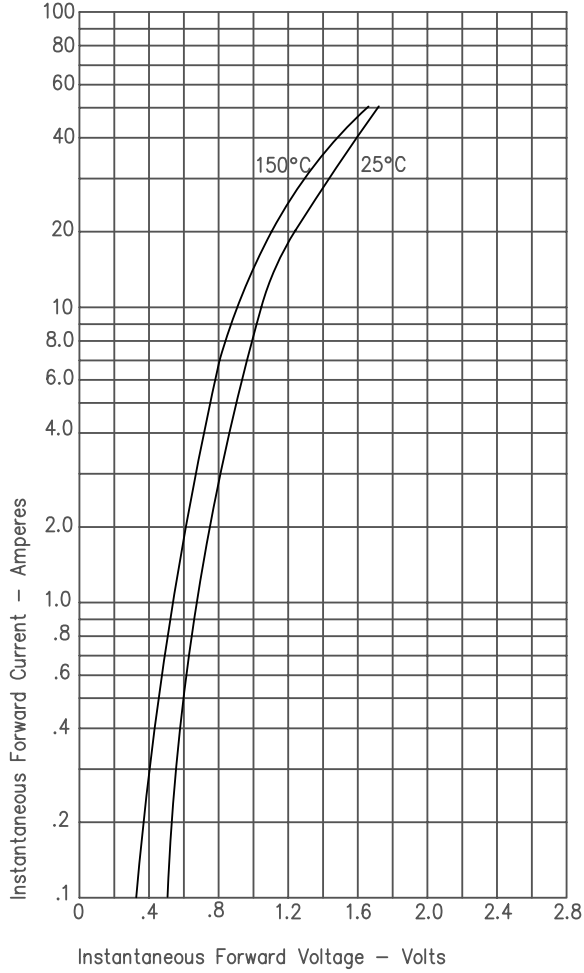


Figure 3  
 Typical Junction Capacitance

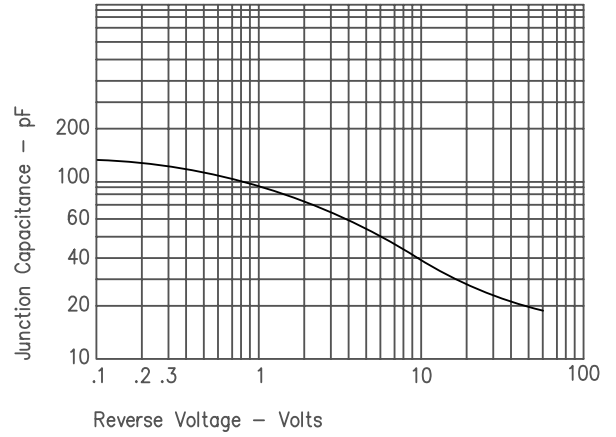


Figure 2  
 Typical Reverse Characteristics

