



Distributor of Molex Connector Corporation: Excellent Integrated System Limited
Datasheet of 0387400710 - Connector Barrier Block Strip 10 Circuit 0.438" (11.12mm)

Contact us: sales@integrated-circuit.com Website: www.integrated-circuit.com

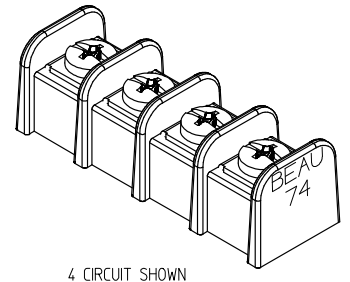
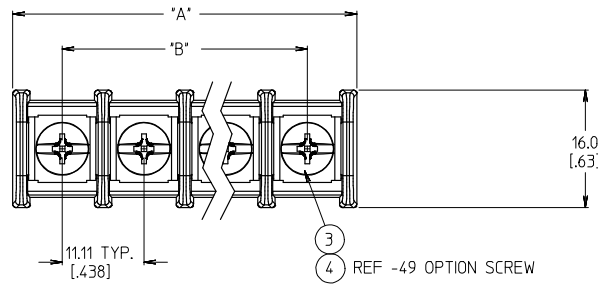
Excellent Integrated System Limited

Stocking Distributor

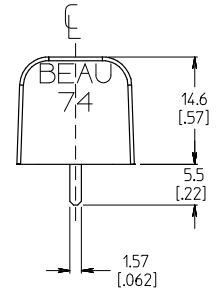
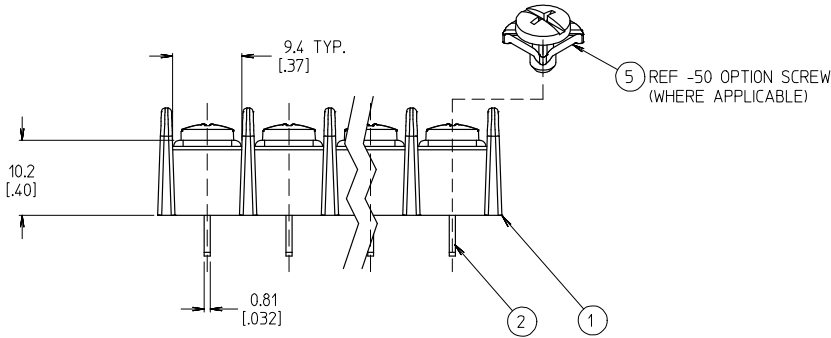
Click to view price, real time Inventory, Delivery & Lifecycle Information:

[Molex Connector Corporation](#)
[0387400710](#)

For any questions, you can email us directly:
sales@integrated-circuit.com



4 CIRCUIT SHOWN



- NOTES:
 1. MATERIAL: SEE TABLE
 2. FINISHES: SEE TABLE
 3. PRODUCT SPECIFICATION: NOT REQUIRED
 4. INCH DIMENSIONS ARE SHOWN IN BRACKETS [XXX].
 5. 'XX' REFERS TO THE QUANTITY OF CIRCUITS.
 6. ROHS COMPLIANT.

INITIAL RELEASE EC NO: WNA2008-0035 DRAWN/ENGINEER: 2008/03/22 CHECKED: JMC/MS 2008/03/22 APPROV: JMC/MS 2008/03/22 DESCRIPTION:	QUALITY SYMBOLS	GENERAL TOLERANCES (UNLESS SPECIFIED)	DIMENSION STYLE	SCALE	DESIGN UNITS	THIRD ANGLE PROJECTION
	▽=0 ▽=0	mm INCH 4 PLACES ± --- ± --- 3 PLACES ± --- ± .005 2 PLACES ± 0.13 ± .01 1 PLACE ± 0.3 ± --- ANGULAR ± 2 °	MM/IN	2:1	INCH	DRAWN BY: EHILE DATE: 2006/03/22 CHECKED BY: RDEROSS DATE: 2006/03/22 APPROVED BY: RDEROSS DATE: 2006/03/22
DRAFT WHERE APPLICABLE MUST REMAIN WITHIN DIMENSIONS		MATERIAL NO. SEE CHART SIZE B THIS DRAWING CONTAINS INFORMATION THAT IS PROPRIETARY TO MOLEX INCORPORATED AND SHOULD NOT BE USED WITHOUT WRITTEN PERMISSION		TITLE: 11.11MM [4.38] SR BTS LOW PROFILE ASSY MOLEX INCORPORATED DOCUMENT NO. SD-38740-004		SHEET NO. 1 OF 2

NO. OF CIRCUITS 'XX'	DIM. 'A'	DIM. 'B'	ASSEMBLY MATERIAL NO. (-C OPTION)	ASSEMBLY MATERIAL NO. (-C-49 OPTION)	ASSEMBLY MATERIAL NO. (-C-50 OPTION)
02	24.5 (.97)	11.11 (.438)	387406302	387406902	387407502
03	35.7 (1.40)	22.23 (.875)	387406303	387406903	387407503
04	46.8 (1.84)	33.34 (1.313)	387406304	387406904	387407504
05	57.9 (2.28)	44.45 (1.750)	387406305	387406905	387407505
06	69.0 (2.72)	55.56 (2.188)	387406306	387406906	387407506
07	80.1 (3.15)	66.68 (2.625)	387406307	387406907	387407507
08	91.2 (3.59)	77.79 (3.063)	387406308	387406908	387407508
09	102.3 (4.03)	88.90 (3.500)	387406309	387406909	387407509
10	113.4 (4.47)	100.01 (3.938)	387406310	387406910	387407510
11	124.6 (4.90)	111.13 (4.375)	387406311	387406911	387407511
12	135.7 (5.34)	122.24 (4.813)	387406312	387406912	387407512
13	146.8 (5.78)	133.35 (5.250)	387406313	387406913	387407513
14	157.9 (6.22)	144.46 (5.688)	387406314	387406914	387407514
15	169.0 (6.65)	155.58 (6.125)	387406315	387406915	387407515
16	180.1 (7.09)	166.69 (6.563)	387406316	387406916	387407516
17	191.2 (7.53)	177.80 (7.000)	387406317	387406917	387407517
18	202.3 (7.97)	188.91 (7.438)	387406318	387406918	387407518
19	213.5 (8.40)	200.03 (7.875)	387406319	387406919	387407519
20	224.6 (8.84)	211.14 (8.313)	387406320	387406920	387407520
21	235.7 (9.28)	222.25 (8.750)	387406321	387406921	387407521
22	246.8 (9.72)	233.36 (9.188)	387406322	387406922	387407522
23	257.9 (10.15)	244.48 (9.625)	387406323	387406923	387407523
24	269.0 (10.59)	255.59 (10.063)	387406324	387406924	387407524
25	280.1 (11.03)	266.70 (10.500)	387406325	387406925	387407525
26	291.2 (11.47)	277.81 (10.938)	387406326	387406926	387407526
27	302.4 (11.90)	288.93 (11.375)	387406327	387406927	387407527
28	313.5 (12.34)	300.04 (11.813)	387406328	387406928	387407528
29	324.6 (12.78)	311.15 (12.250)	387406329	387406929	387407529
30	335.7 (13.22)	322.26 (12.688)	387406330	387406930	387407530

SEE SHEET ONE EC NO: WNA2008-0035 DRAWN BY: JMC/MS CHECKED BY: JMC/MS APPR: JMC/MS DATE: 2008/03/22 DATE: 2008/03/22 DATE: 2008/03/22	QUALITY SYMBOLS 	GENERAL TOLERANCES (UNLESS SPECIFIED)		DIMENSION STYLE MM/IN		SCALE 2:1	DESIGN UNITS INCH	THIRD ANGLE PROJECTION
		4 PLACES ± .005 ± .005 3 PLACES ± .005 ± .005 2 PLACES ± 0.13 ± .01 1 PLACE ± 0.3 ± .01 ANGULAR ± 2 °	mm INCH ± .005 ± .005 ± .01 ± .01 ± .01 ± .01 ± .01 ± .01	DRAWN BY EHILE DATE 2006/03/22	CHECKED BY RDEROSS DATE 2006/03/22	TITLE 11.11MM [.438] SR BTS LOW PROFILE ASSY		
DRAFT WHERE APPLICABLE MUST REMAIN WITHIN DIMENSIONS		MATERIAL NO. SEE CHART		DOCUMENT NO. SD-38740-004		MOLEX INCORPORATED		
SIZE B		THIS DRAWING CONTAINS INFORMATION THAT IS PROPRIETARY TO MOLEX INCORPORATED AND SHOULD NOT BE USED WITHOUT WRITTEN PERMISSION						