

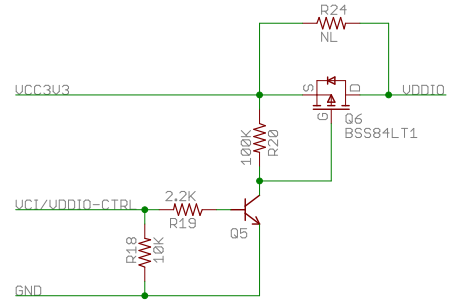
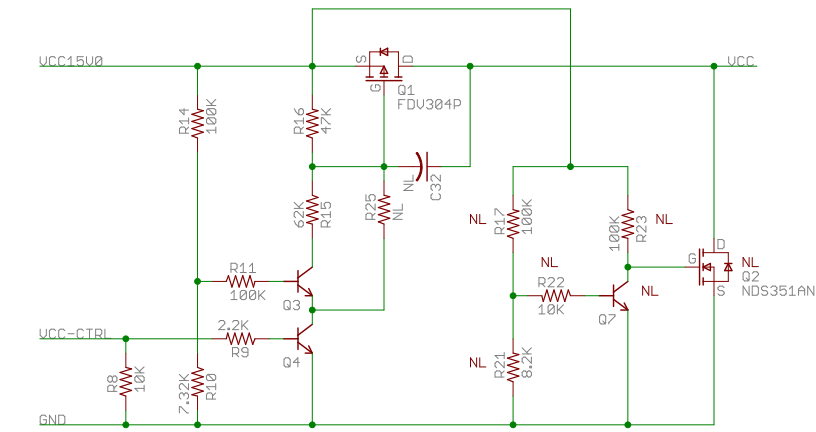
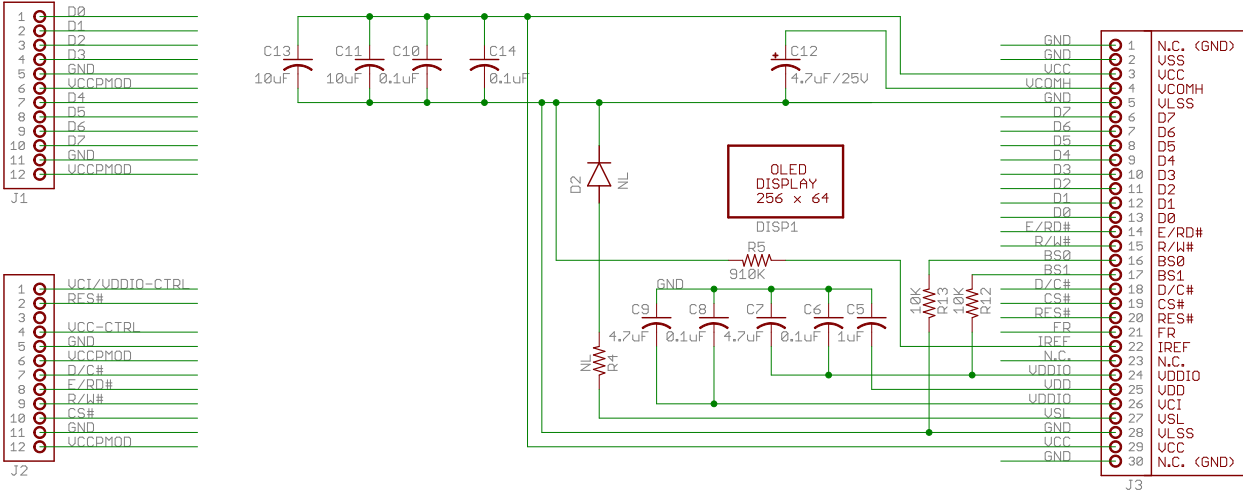
## **Excellent Integrated System Limited**

Stocking Distributor

Click to view price, real time Inventory, Delivery & Lifecycle Information:

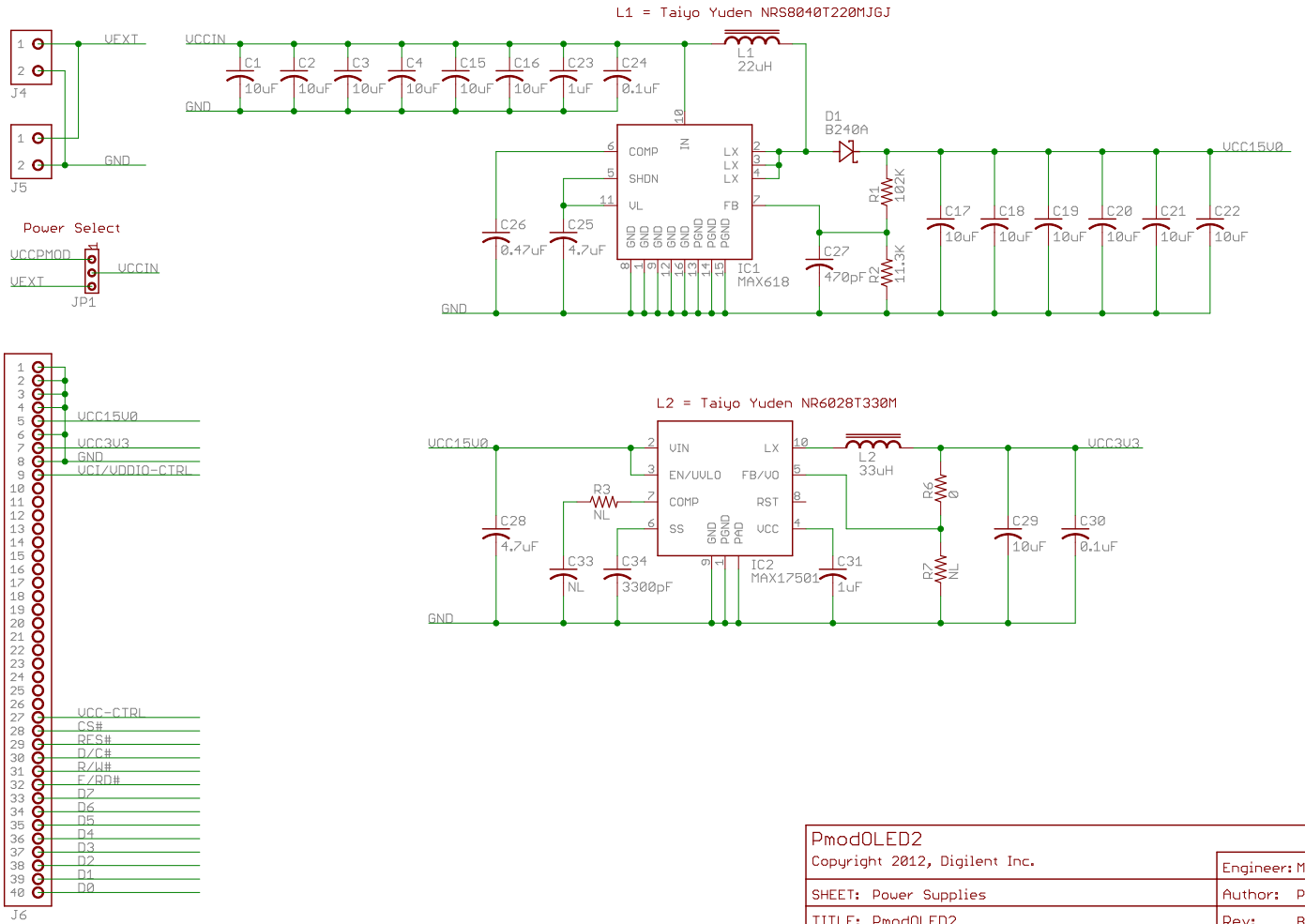
[Digilent, Inc.](#)  
[410-225P](#)

For any questions, you can email us directly:  
[sales@integrated-circuit.com](mailto:sales@integrated-circuit.com)



NL = Not Loaded by Default

<b>PmodOLED2</b>		Engineer: MTA
Copyright 2012, Digilent Inc.		Author: PJA
SHEET: Pmod Connectors and Display		Rev: B.1
TITLE: PmodOLED2		Doc#: 500-225
Date: 06/06/2012		Sheet: 1/2



PmodOLED2		Engineer: MTA
Copyright 2012, Digilent Inc.		Author: PJA
SHEET: Power Supplies		Rev: B.1
TITLE: PmodOLED2		Sheet: 2/2
Doc#: 500-225	Date: 06/06/2012	