

Excellent Integrated System Limited

Stocking Distributor

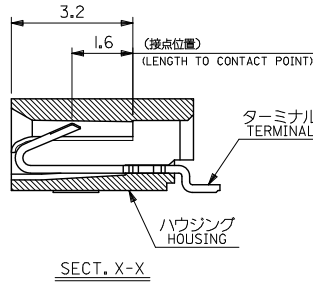
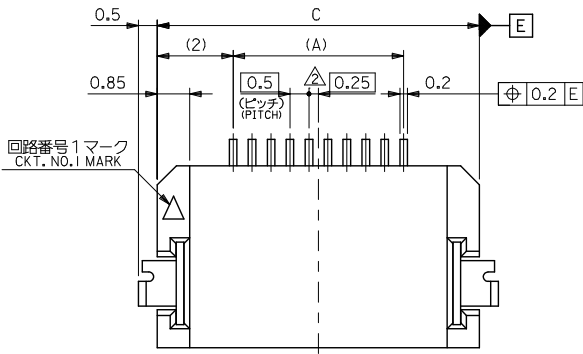
Click to view price, real time Inventory, Delivery & Lifecycle Information:

[Molex Connector Corporation](#)
[0529760972](#)

For any questions, you can email us directly:

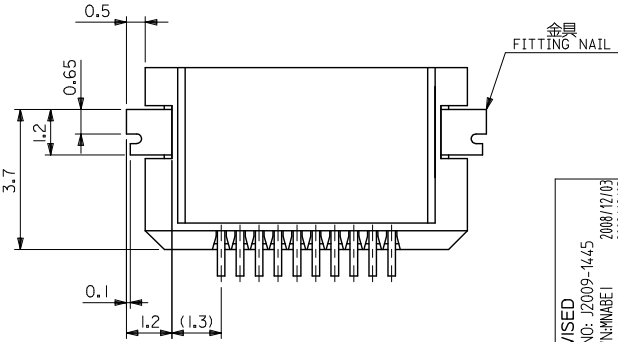
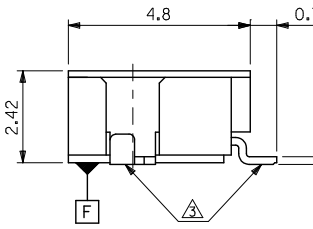
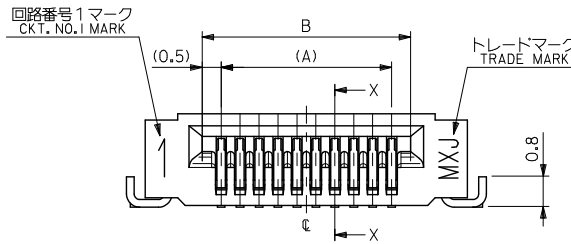
sales@integrated-circuit.com

10 9 8 7 6 5 4 3 2 1



注記 NOTES

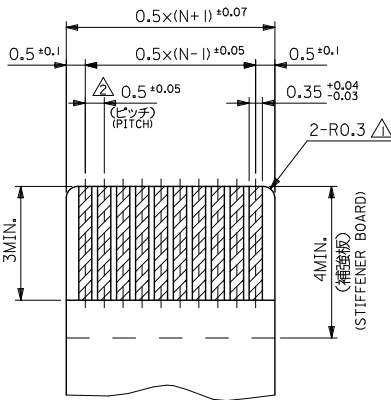
- 材質 MATERIAL**
ハウジング: PPS, UL94V-0
ハウジング: PPS, UL94V-0
ターミナル: リン青銅 (t=0.2)、ニッケル下地 鍍ビスマスメッキ
TERMINAL: PHOS-BRO.(t=0.2), TIN-BISMUTH OVER NICKEL PLATING
金具: リン青銅 (t=0.2)、ニッケル下地 鍍メッキ
FITTING NAIL: PHOS-BRO.(t=0.2), TIN OVER NICKEL PLATING
HARF BRIGHT PLATING
- 偶数極に適用。
APPLY FOR EVEN CIRCUIT.
- ソルダール半田付け面及び金具半田付け面のズレ量は、基準面 [F] に対し、上方向 0.1 MAX.、下方向 0.15MAX. とする。
MISALIGNMENT OF SOLDER TAILS AND FITTING NAILS FROM [E] : UPPER DIRECTION 0.1 MAX. : LOWER DIRECTION 0.15MAX.
- 本製品は 52976-**-**40 の約フリー品である。
THIS PRODUCT IS LEAD FREE OF 52976-**-40



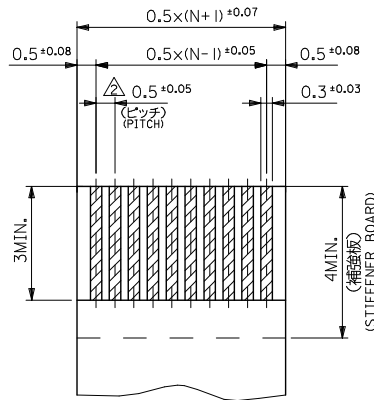
18.5	15.5	14.5	52976-3072	52976-3049	30
15.5	12.5	11.5	-2472	-2449	24
14.0	11.0	10.0	-2172	-2149	21
13.0	10.0	9.0	-1972	-1949	19
12.5	9.5	8.5	-1872	-1849	18
12.0	9.0	8.0	-1772	-1749	17
11.5	8.5	7.5	-1672	-1649	16
11.0	8.0	7.0	-1572	-1549	15
10.5	7.5	6.5	-1472	-1449	14
9.5	6.5	5.5	-1272	-1249	12
8.5	5.5	4.5	-1072	-1049	10
8.0	5.0	4.0	-0972	-0949	9
7.5	4.5	3.5	-0872	-0849	8
6.5	3.5	2.5	52976-0672	52976-0649	6

52976-**-49 MODEL NO.		EMBOSSED TAPE PKG.		MATERIAL NO.		NO. OF CXT.	
GENERAL TOLERANCES (UNLESS SPECIFIED)		DIMENSION STYLE		SCALE		DESIGN UNITS	
		MM ONLY		---		METRIC	
DRAWN BY DATE		TITLE		THIRD ANGLE PROJECTION			
HSHI MABUKURO '04/03/01		0.5 FFC/FPC CONN NON-ZIF HSG ASSY(BOTTOM CONTACT) -LEAD FREE-		MOLEX INCORPORATED			
CHECKED BY DATE		APPROVED BY DATE		MATERIAL NO.		DOCUMENT NO.	
K. TOJO '04/03/01		M. SASAO '04/03/01		SEE TABLE		SD-52976-010	
ANGULAR ±3 °		DRAFT WHERE APPLICABLE MUST REMAIN WITHIN DIMENSIONS		THIS DRAWING CONTAINS INFORMATION THAT IS PROPRIETARY TO MOLEX INCORPORATED AND SHOULD NOT BE USED WITHOUT WRITTEN PERMISSION		SHEET NO. 1 OF 2	

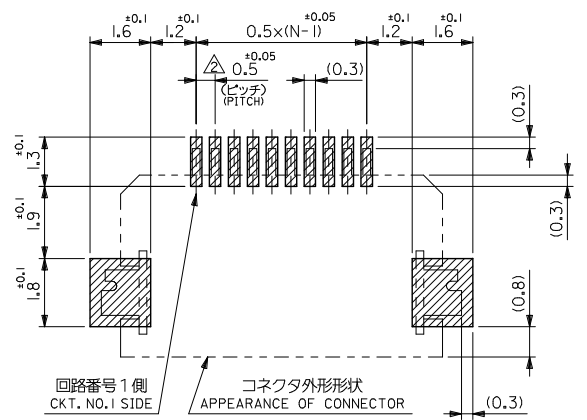
10 9 8 7 6 5 4 3 2 1



適合FPC推奨寸法
APPLICABLE FPC
RECOMMENDED DIMENSION
(仕上がり厚さ: 0.3±0.03)
(THICKNESS: 0.3±0.03)



適合FFC推奨寸法
APPLICABLE FFC
RECOMMENDED DIMENSION
(仕上がり厚さ: 0.3±0.03)
(THICKNESS: 0.3±0.03)



参考基板レイアウト
REFERENCE P.C. BOARD
PATTERN DIMENSION
(マウント面)
(MOUNTING SIDE)

注記 NOTES

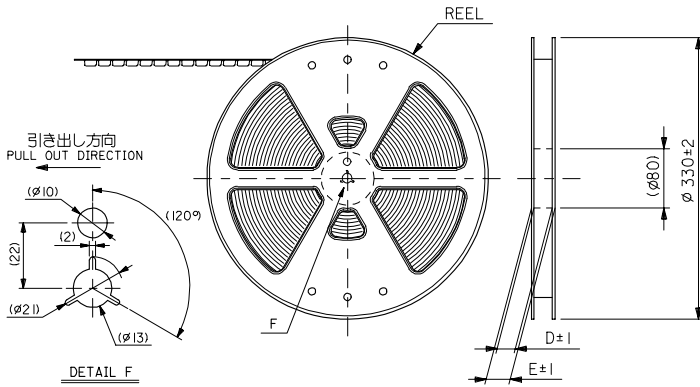
- △ R0.3 は、FPCの導体部にかからないこと。
R0.3 MUST NOT BE OVERLAPPED TO PATTERN OF FPC.
- △ 公差非累積のこと。
NON-ACCUMULATIVE.

3. FPCについて:
打抜き方向は導体側から補強板を推奨致します。
補強フィルム材質はポリイミドを推奨致します。
接着剤は熱硬化接着剤を推奨致します。
- ABOUT FPC:
RECOMMENDED PUNCHER DIRECTION: FROM CONDUCTOR SIDE TO STIFFENER BOARD SIDE.
RECOMMENDED MATERIAL:
STIFFENER FILM: POLYIMIDE
BONDING AGENT: THERMOSETTING BONDING AGENT

REVISED IEC NO. J2009-1445 DRAWN BY CHIKO-THARUYAMA APPROXIMATA DESCRIPTION	GENERAL TOLERANCES (UNLESS SPECIFIED)		DIMENSION STYLE MM ONLY		SCALE ---	DESIGN UNITS METRIC	52976-***49	MODEL NO.
	10 UNDER	± 0.2	DRAWN BY HSHI MABUKURO	DATE '04/03/01	TITLE 0.5 FFC/FPC CONN NON-ZIF HSG ASSY(BOTTOM CONTACT) -LEAD FREE-			
	10 OVER 30 UNDER	± 0.25	CHECKED BY K. TOJO	DATE '04/03/01	MOLEX INCORPORATED			
	30 OVER	± 0.3	APPROVED BY M. SASAO	DATE '04/03/01	DOCUMENT NO. SD-52976-010			
ANGULAR ±3 °		DRAFT WHERE APPLICABLE MUST REMAIN WITHIN DIMENSIONS		MATERIAL NO. SEE SHEET 1		SHEET NO. 2 OF 2		EN-02JA(021)
THIS DRAWING CONTAINS INFORMATION THAT IS PROPRIETARY TO MOLEX INCORPORATED AND SHOULD NOT BE USED WITHOUT WRITTEN PERMISSION								

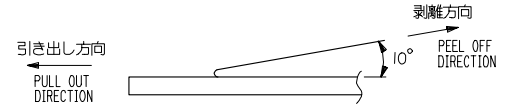
9 8 7 6 5 4 3 2 1

10 9 8 7 6 5 4 3 2 1



NOTES

- 梱包数量: 1000個/リール
NUMBER OF CONNECTORS: 1000PCS/REEL
- リードテープ長さ LEAD TAPE LENGTH
20PCS, MIN. トップテープ接着部 (空エンボス)
TOP TAPE BONDED PART. (EMPTY)
部品挿入部 (空部)
COMPONENT SUPPLIER
末端部 (空部)
TAIL PART (EMPTY)
40 MIN.
- トップテープの剥離強度: 0.1N ~ 1.3N (10gf ~ 130gf)
(剥離方向は下図参照)
尚、本規格値は出荷時に適用。(但し、輸送時に剥離が発生しないこと。)
PEELING OFF FORCE OF TOP TAPE: 0.1N ~ 1.3N (10gf ~ 130gf)
(PEELING DIRECTION AS SHOWN IN FOLLOWING FIG.)
THIS REQUIREMENT SHOULD BE APPLIED AT SHIPMENT.
PEEL OFF SHOULD NOT BE ALLOWED, DURING TRANSPORTATION.
- 材料 キャリアテープ: ポリプロピレン (PP)
トップテープ: PET, PE, PEF
リール: ポリスチレン (PS) <リサイクル材を含む>
MATERIAL CARRIER TAPE: POLYPROPYLENE
TOP TAPE: PET, PE, PEF
REEL: POLYSTYRENE (PS)
<RECYCLE MATERIAL CONTAINED>
- 本製品は 52976-**-92 の鉛フリー品である。
THIS PRODUCT IS LEAD FREE OF 52976-**-92



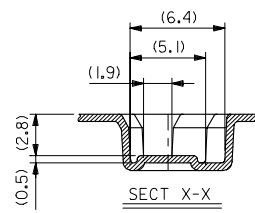
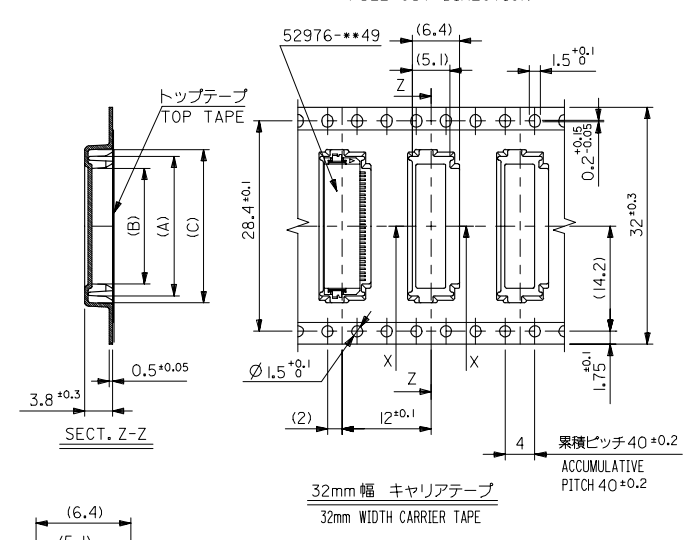
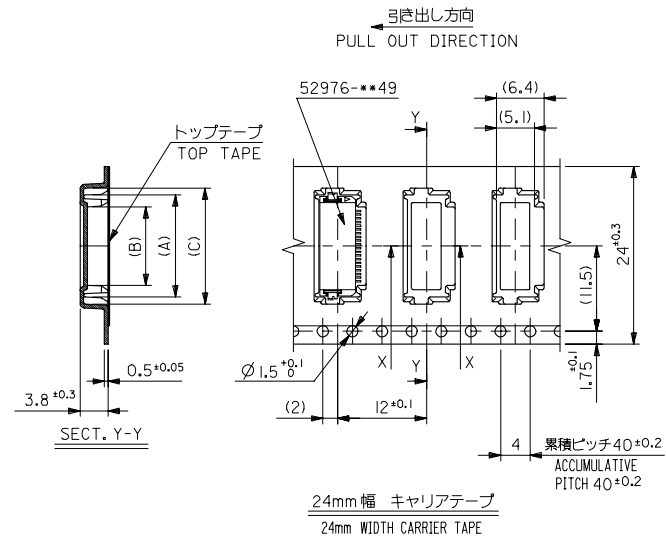
52976-**-72 MODEL NO.

REVISED EC NO: J2008-1572 DRAWN BY: DR. N. H. YAMA CHKD: HARUYAMA APPR: NIKITA	GENERAL TOLERANCES (UNLESS SPECIFIED)		DIMENSION STYLE MM ONLY	SCALE ---	DESIGN UNITS METRIC	THIRD ANGLE PROJECTION
	10 UNDER	±0.2	DRAWN BY H. SHIMABUKUR	DATE 2004/03/01	TITLE 0.5 FPC CONN NON ZIF HOUSING ASSY EMBSTP PKG -LEAD FREE-	
	10 OVER 30 UNDER	±0.25	CHECKED BY K. TOJO	DATE 2004/03/01	MOLEX INCORPORATED	
	30 OVER	±0.3	APPROVED BY M. SASAO	DATE 2004/03/01	MATERIAL NO. SEE SHEET 2	DOCUMENT NO. SD-52976-011
ANGULAR	±3 °	DRAFT WHERE APPLICABLE MUST REMAIN WITHIN DIMENSIONS		SIZE A3 THIS DRAWING CONTAINS INFORMATION THAT IS PROPRIETARY TO MOLEX INCORPORATED AND SHOULD NOT BE USED WITHOUT WRITTEN PERMISSION		

10 9 8 7 6 5 4 3 2 1

F
E
D
C
B
A

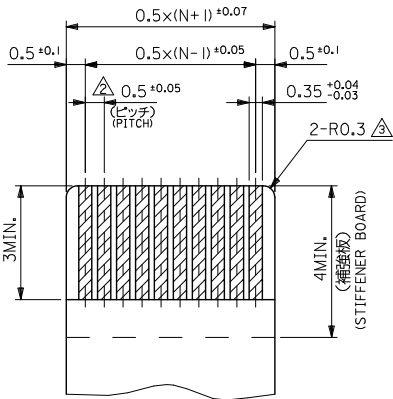
F
E
D
C
B
A



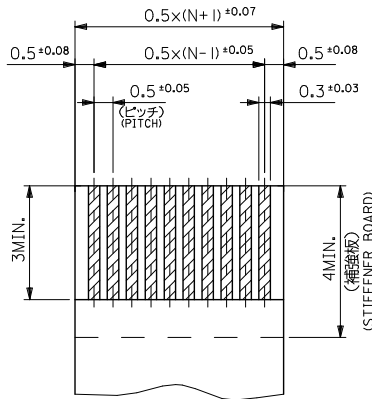
32	37.4	33.4	20.7	15.6	18.8	52976-3072	30
			17.7	12.6	15.8	52976-2472	24
24	29.4	25.4	16.2	11.1	14.3	52976-2172	21
			15.2	10.1	13.3	52976-1972	19
			14.7	9.6	12.8	52976-1872	18
			14.2	9.1	12.3	52976-1772	17
			13.7	8.6	11.8	52976-1672	16
			13.2	8.1	11.3	52976-1572	15
			12.7	7.6	10.8	52976-1472	14
			11.7	6.6	9.8	52976-1272	12
			10.7	5.6	8.8	52976-1072	10
			10.2	5.1	8.3	52976-0972	9
9.7	4.6	7.8	52976-0872	8			
8.7	3.6	6.8	52976-0672	6			
キャリアテープ幅 CARRIER TAPE WIDTH	E	D	(C)	(B)	(A)	MATERIAL NO.	種数 CKT.

REVISED EC NO.: J2008-1572 DRAWN BY: DR. N. H. IMA CHKD: HARUYAMA APPR: NIKITA	DESCRIPTION	GENERAL TOLERANCES (UNLESS SPECIFIED)	DIMENSION STYLE MM ONLY	SCALE ---	DESIGN UNITS METRIC	52976-***72 MODEL NO.
	10 UNDER	±0.2	DRAWN BY H. SHIMABUKUR	DATE 2004/03/01	TITLE 0.5 FPC CONN NON ZIF HOUSING ASSY EMBSTP PKG -LEAD FREE-	THIRD ANGLE PROJECTION
	10 OVER 30 UNDER	±0.25	CHECKED BY K. TOJO	DATE 2004/03/01	MATERIAL NO.	SD-52976-011
	30 OVER	±0.3	APPROVED BY M. SASAO	DATE 2004/03/01	DOCUMENT NO.	2 OF 2
ANGULAR	±3°	DRAFT WHERE APPLICABLE MUST REMAIN WITHIN DIMENSIONS	SEE TABLE	MOLEX INCORPORATED		
SIZE A3 THIS DRAWING CONTAINS INFORMATION THAT IS PROPRIETARY TO MOLEX INCORPORATED AND SHOULD NOT BE USED WITHOUT WRITTEN PERMISSION						

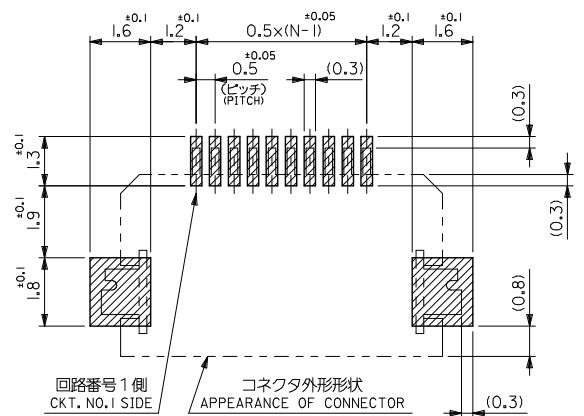
10 9 8 7 6 5 4 3 2 1



適合FPC推奨寸法
APPLICABLE FPC
RECOMMENDED DIMENSION
(仕上がり厚さ: 0.3±0.03)
(THICKNESS : 0.3±0.03)

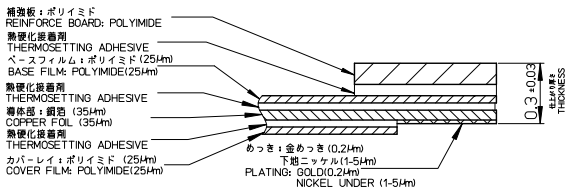


適合FFC推奨寸法
APPLICABLE FFC
RECOMMENDED DIMENSION
(仕上がり厚さ: 0.3±0.03)
(THICKNESS : 0.3±0.03)



推奨基板レイアウト
RECOMMENDED P.C.BOARD
PATTERN DIMENSION
(マウント面)
(MOUNTING SIDE)

マスク厚 : 100µm
マスク開口率: 100%
SCREEN THICKNESS : 100MICROMETER
SCREEN OPEN RATIO : 100%



FPC構成推奨仕様
STRUCTURE OF FPC

FPC/FFCについて ABOUT FPC/FFC
打ち抜き方向は導体層から樹脂層側を推奨します。
導体層については銅線径0.25mmまたは50µmを推奨します。
RECOMMENDED PUNCHING DIRECTION: FROM CONDUCTOR SIDE TO STIFFENER SIDE
RECOMMENDED CONDUCTOR SPEC: SOFT COPPER FOIL
RECOMMENDED CONDUCTOR THICKNESS: 35 MICROMETER OR 50 MICROMETER

FPCについてABOUT FPC
樹脂フィルム材質はポリイミドを推奨します。ベースフィルムは25µmを推奨します。
銅箔は熱硬化性樹脂を推奨します。
銅箔の接着剤は導体層との付着は導体不良の原因になりますので、高み出しが強い種、お断り致します。
RECOMMENDED STIFFENER MATERIAL: POLYIMIDE
RECOMMENDED BASE FILM THICKNESS: 25 MICROMETER
RECOMMENDED ADHESIVE: THERMOSETTING ADHESIVE
NOTE: PLEASE PUT APPROPRIATE AMOUNT OF ADHESIVE ON ADHEREND BECAUSE THERE IS A POSSIBILITY THAT THE EXTRA ADHESIVE CAUSES THE DEFECT IN ELECTRICAL CONTINUITY.

REVISED		DESCRIPTION		GENERAL TOLERANCES (UNLESS SPECIFIED)		DIMENSION STYLE		SCALE	DESIGN UNITS	MODEL NO.	
REV	DATE	BY	DATE	10 UNDER	±0.2	MM ONLY	---	---	METRIC	52976-**22	
A	2013/04/16	CHIKOKI	2013/04/16	10 OVER 30 UNDER	±0.25					MODEL NO.	
				30 OVER	±0.3					THIRD ANGLE PROJECTION	
				ANGULAR	±3°					0.5MM FFC/FPC CONN NON-ZIF HSG ASSY (LOWER CONTACT)	
				DRAFT WHERE APPLICABLE MUST REMAIN WITHIN DIMENSIONS						molex	
										DOCUMENT NO.	SHEET NO.
										SD-52976-016	2 OF 2
										THIS DRAWING CONTAINS INFORMATION THAT IS PROPRIETARY TO MOLEX INCORPORATED AND SHOULD NOT BE USED WITHOUT WRITTEN PERMISSION	