

Excellent Integrated System Limited

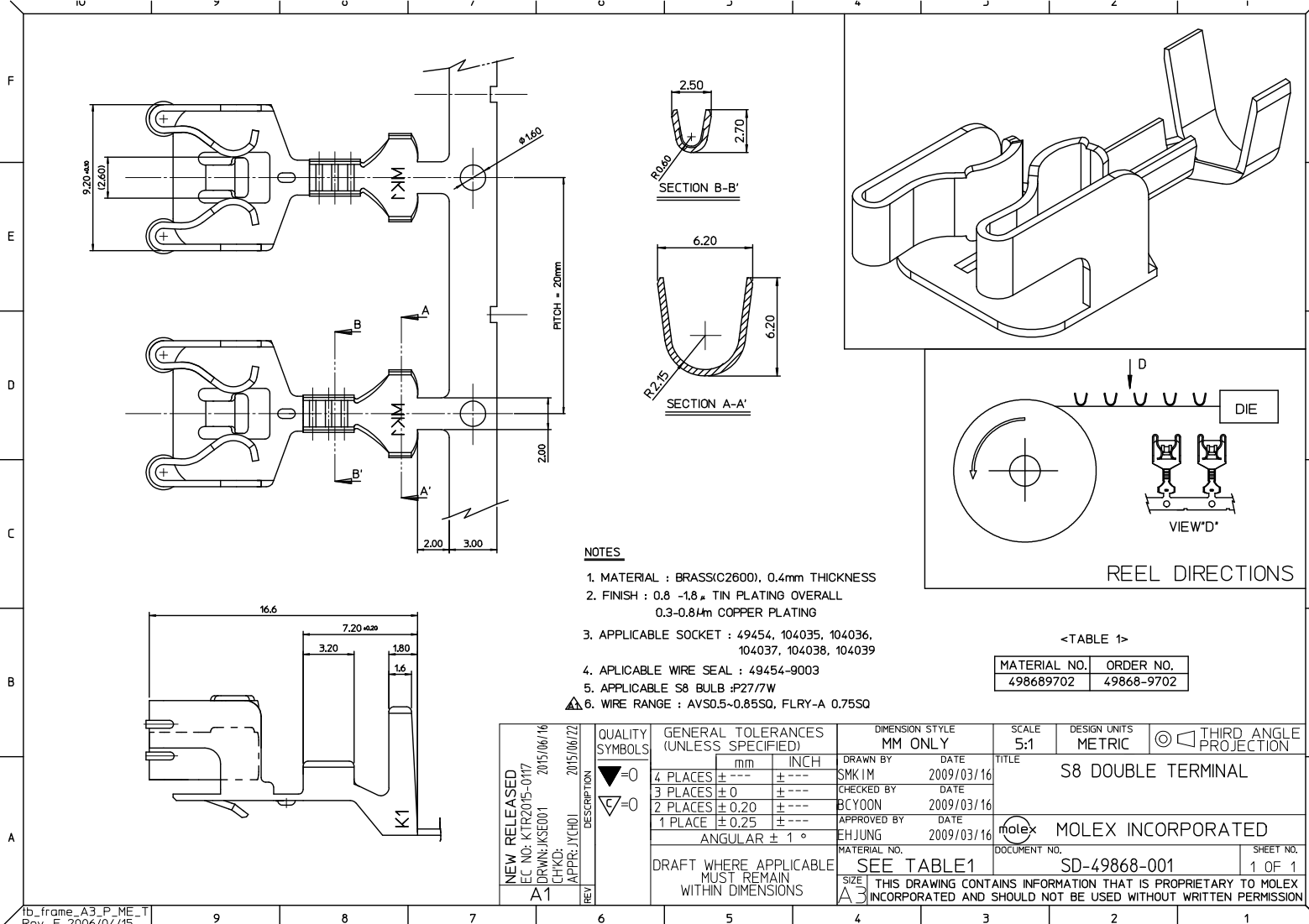
Stocking Distributor

Click to view price, real time Inventory, Delivery & Lifecycle Information:

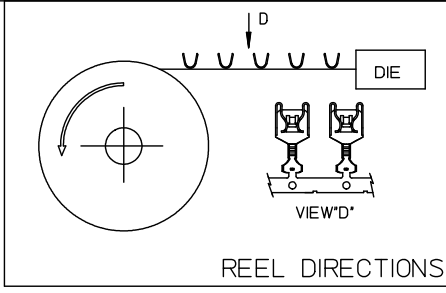
[Molex Connector Corporation](#)
[0498689702](#)

For any questions, you can email us directly:

sales@integrated-circuit.com



- NOTES**
1. MATERIAL : BRASS(C2600), 0.4mm THICKNESS
 2. FINISH : 0.8 -1.8 μ TIN PLATING OVERALL
0.3-0.8μm COPPER PLATING
 3. APPLICABLE SOCKET : 49454, 104035, 104036,
104037, 104038, 104039
 4. APPLICABLE WIRE SEAL : 49454-9003
 5. APPLICABLE S8 BULB :P27/7W
 6. WIRE RANGE : AVS0.5-0.85SO, FLRY-A 0.75SO



<TABLE 1>

MATERIAL NO.	ORDER NO.
498689702	49868-9702

NEW RELEASED EC NO: KTR2015-017 CHKD: JKSE001 APPR: JYCH01 2015/06/16 2015/06/16	QUALITY SYMBOLS ▽=0 ▽=0	GENERAL TOLERANCES (UNLESS SPECIFIED)		DIMENSION STYLE MM ONLY		SCALE 5:1	DESIGN UNITS METRIC	THIRD ANGLE PROJECTION		
		4 PLACES ± --- ± ---	3 PLACES ± 0 ± ---	2 PLACES ± 0.20 ± ---	1 PLACE ± 0.25 ± ---	DRAWN BY SMKIM	DATE 2009/03/16	TITLE S8 DOUBLE TERMINAL		
		ANGULAR ± 1 °				CHECKED BY BCY00N	DATE 2009/03/16	MOLEX INCORPORATED		
		DRAFT WHERE APPLICABLE MUST REMAIN WITHIN DIMENSIONS				APPROVED BY EHJUNG	DATE 2009/03/16	MATERIAL NO. SEE TABLE1	DOCUMENT NO. SD-49868-001	SHEET NO. 1 OF 1