

Excellent Integrated System Limited

Stocking Distributor

Click to view price, real time Inventory, Delivery & Lifecycle Information:

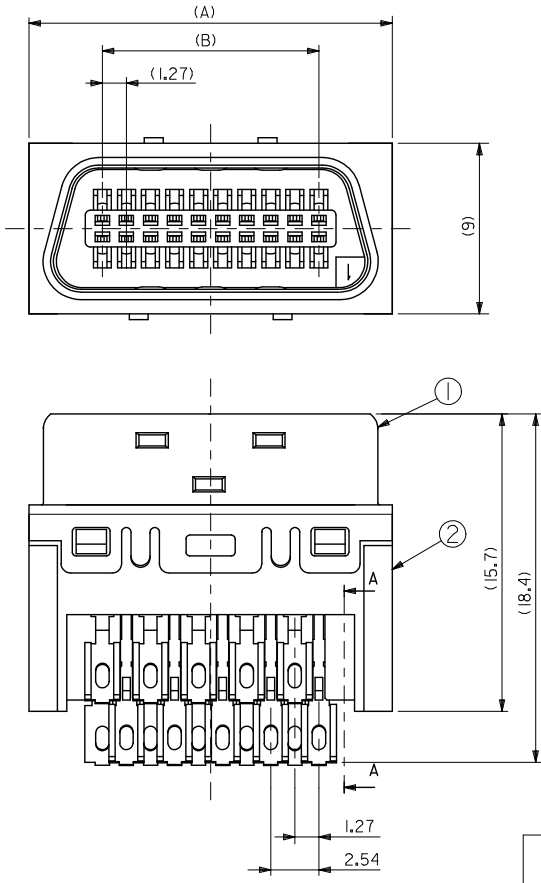
[Molex Connector Corporation](#)
[0543062019](#)

For any questions, you can email us directly:

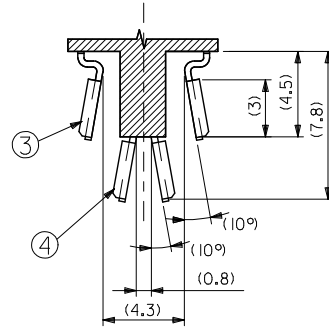
sales@integrated-circuit.com

10 9 8 7 6 5 4 3 2 1

CONFIDENTIAL



NO.	DESCRIPTION	MATERIAL	FINISH
①	シエル SHELL	鋼 STEEL	ニッケルメッキ NICKEL PLATING
②	ハウジング HOUSING	ポリアミド46 POLYAMIDE46	色:黒 COLOR:BLACK
③	端子 TERMINAL	りん青銅 PHOSPHOR BRONZE	接点部 CONTACT AREA GOLD:0.3 MICROMETER MIN 半田付け部分 SOLDER TAIL TIN:1.0 MICROMETER MIN
④	端子 TERMINAL		全体下地 UNDER PLATING NICKEL:2.0 MICROMETER MIN



SECTION A-A

30.48	38.23	54306-50	19	50
21.59	29.34	54306-36	19	36
15.24	22.99	54306-26	19	26
11.43	19.3	54306-20	19	20
7.62	15.37	54306-14	19	14

REVISED EC NO. J2009-0502 DRAWN BY CHIKO-HATSUMOTO APPROVED BY APPR. NUKITA	DESCRIPTION	GENERAL TOLERANCES (UNLESS SPECIFIED)	DIMENSION STYLE MM ONLY	SCALE 5:1	DESIGN UNITS METRIC	MODEL NO. 54306-**19	製品番号 MATERIAL NO.	極数 CKT	
	REV	10 UNDER ± 0.2	DRAWN BY T. UENO	DATE 2004/05/19	TITLE 1.27 I/O CONN. PLUG HSG ASSY				
		10 OVER 30 UNDER ± 0.25	CHECKED BY M. SASAO	DATE 2004/05/19					
		30 OVER ± 0.3	APPROVED BY M. SASAO	DATE 2004/05/19					
	ANGULAR ± 3 °	DRAFT WHERE APPLICABLE MUST REMAIN WITHIN DIMENSIONS	MATERIAL NO.	DOCUMENT NO.	MOLEX INCORPORATED				
			SEE CHART		SD-54306-001				
			SIZE A3	THIS DRAWING CONTAINS INFORMATION THAT IS PROPRIETARY TO MOLEX INCORPORATED AND SHOULD NOT BE USED WITHOUT WRITTEN PERMISSION					