

Excellent Integrated System Limited

Stocking Distributor

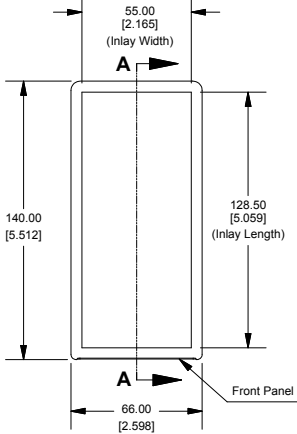
Click to view price, real time Inventory, Delivery & Lifecycle Information:

[Hammond Manufacturing](#)
[1593YBK](#)

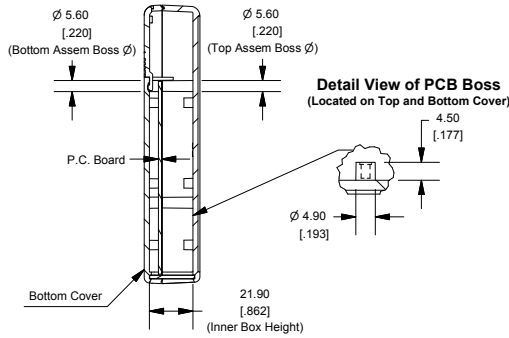
For any questions, you can email us directly:

sales@integrated-circuit.com

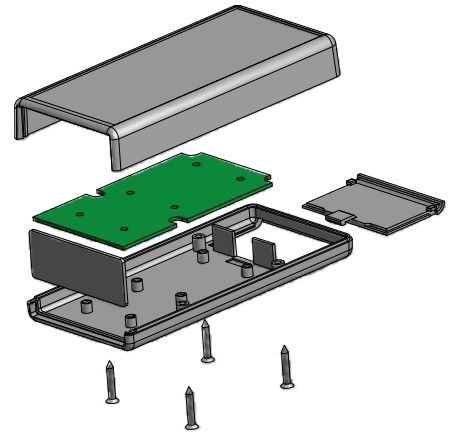
Top View of Assembly



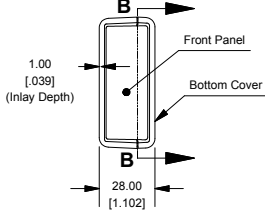
**SECTION A-A
(Side View Inside Assembly)**



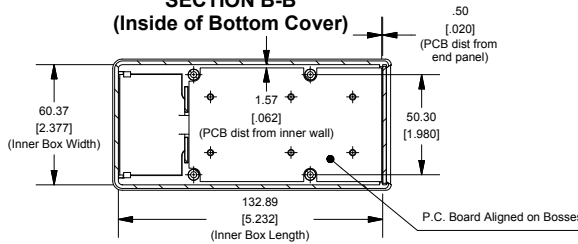
Hand Held Instrument (1593Y)



End View of Assembly



**SECTION B-B
(Inside of Bottom Cover)**



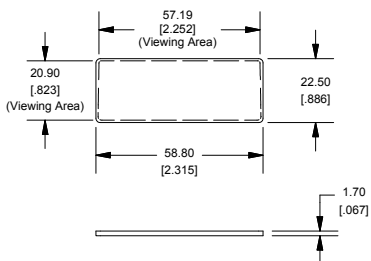
Enclosures can be Factory Modified (Milling, Drilling, Printing etc.)
Solid models of this enclosure available in STEP or IGES.
Contact Factory mjm@hammondmfg.com

NOTE	
Enclosure molded from GP ABS (UL94-HB) plastic.	
Purchased assembly includes top and bottom cover, front panel (plastic), battery door and 4 cover screws.	

PART NUMBERS

1593Y Enclosure	
Black Enclosure	1593YBK
Grey Enclosure	1593YGY
ACCESSORIES	
Cover Screws (Pkg 100) [#4 x 3/4" self-tapping oval head (19.1mm)]	1593QS100 (Silver) 1593QS100BK (Black)
P.C. Board Screws [#4 x 1/4" self-tapping (6.4mm)]	1593ATS50 (Pkg 50) 1593ATS100 (Pkg 100)
Belt or Pocket Clip	1599CLIP (Black) 1599CLIPGY (Grey)
Infrared Panels (Pkg 10)	1593DIR10

**Front/Rear Panel
(Dashed Line Indicates Viewing Area)**



Maximum P.C. Board Size

