



Excellent Integrated System Limited

Stocking Distributor

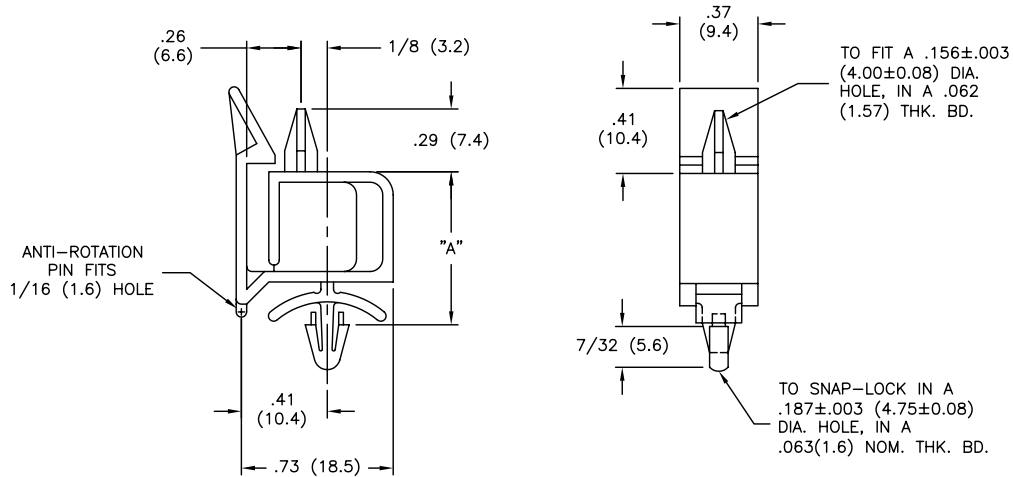
Click to view price, real time Inventory, Delivery & Lifecycle Information:

[Essentra Components \(formerly Richco, Inc.\)](#)
[PCBEH-7-01](#)

For any questions, you can email us directly:
sales@integrated-circuit.com

AVAILABLE BY SPECIAL ORDER ONLY

PART NO.	"A"
PCBEH-7-01	.47 (11.9)
PCBEH-10-01	.66 (16.8)
PCBEH-14-01	.91 (23.1)



NOTES:

- MATERIAL: NYLON 6/6 (RMS-01), FLAME RETARDANT NYLON (RMS-19), AVAILABLE BY SPECIAL ORDER ONLY.
- COLOR: NATURAL

TITLE: PCB EDGE HOLDER			DWG IN IN (MM)	FINAL	PRINT TYPE
TOLERANCES UNLESS NOTED .XX=±.010 .XXX=±.005 FRAC=±1/64 ANG=±1°	FILE # PCBEH MAT'L: SEE NOTES RE: RICHCO, INC.	DWN: P.B. DT: 05-25-95	APP: DT:	PART # SEE TABLE	CA
C	CHANGED FILE NUMBER	SM 05.01.01			
B	MAT'L RMS-19 ADDED	J.L. 12.10.97			
A	CONVERTED TO ACAD	PB 05.25.95			
REV	DESCRIPTION	ENGR DATE			