

Excellent Integrated System Limited

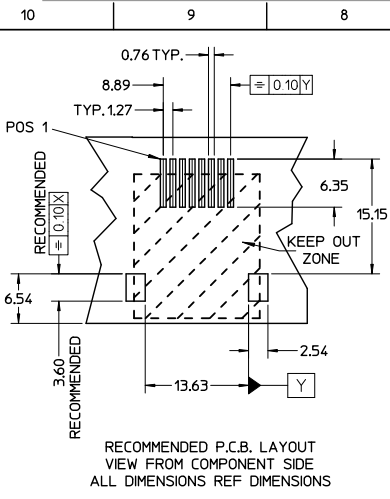
Stocking Distributor

Click to view price, real time Inventory, Delivery & Lifecycle Information:

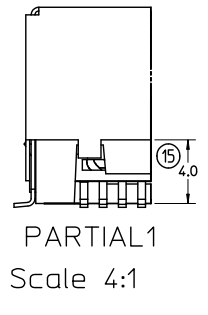
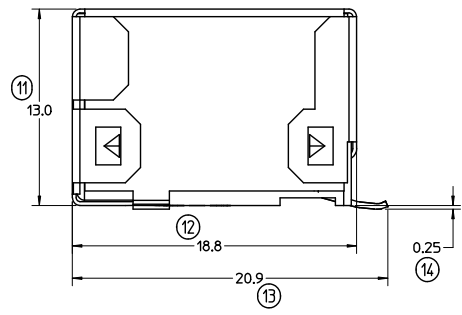
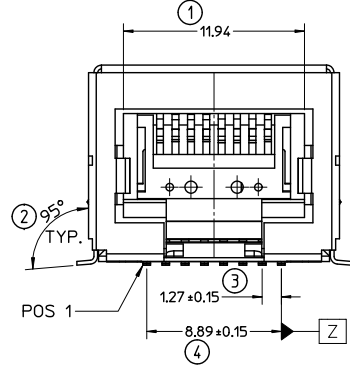
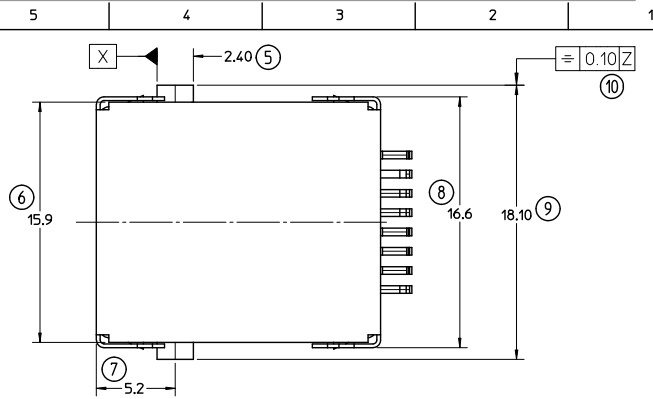
[Molex Connector Corporation](#)
[0855437002](#)

For any questions, you can email us directly:

sales@integrated-circuit.com



PART No.	PLATING
85543-7002	7



- NOTES:
- JACK FOR MATING WITH SHIELDED PLUG (MOLEX 95043 AND 85668 SERIES)
 - PRODUCT SPECIFICATION: PS-85543-002
 - PACKAGING SPECIFICATION: PK-95122-002 (BLISTER ON REEL)
 - COPLANARITY OF SIGNAL LEADS: 0.10 MAX
 - RECOMMENDED PCB THICKNESS 1.57
- LAST INSPECTION No: 16

TECHNICAL SPECIFICATIONS:

MATERIAL:

HOUSING: LCP GLASS FILLED UL 94V0, COLOUR BLACK.

TERMINAL: PHOSPHOR BRONZE PLATED WITH:

PLATING 7: POST PLATE 0.00005 MIN GOLD FLASH OVER
0.00060 MIN PALLADIUM-NICKEL IN CONTACT AREA,
0.00190 MIN PURE TIN IN TAIL AREA,
BOTH OVER 0.00127 MIN NICKEL OVERALL.

SHIELD: BRASS PLATED WITH 0.0020 MIN TIN.

ADDED OPTION EC NO: E2012-0040 DRAWN: JOCORROR 2011/03/31 CHKD: APPR: EFCULAN 2011/10/13	QUALITY SYMBOLS ▽=0 ▽=0	GENERAL TOLERANCES (UNLESS SPECIFIED)		DIMENSION STYLE MM ONLY		SCALE 4:1	DESIGN UNITS METRIC	THIRD ANGLE PROJECTION
		4 PLACES ± --- ± ---	3 PLACES ± --- ± ---	DRAWN BY DBYRNES	DATE 2006/09/05	TITLE FULLY SHIELDED TRUE SMT R/A HIGHSPEED MOD JACK 8 CCT		
REV B	DESCRIPTION	2 PLACES ± 0.25 ± ---	1 PLACE ± 0.35 ± ---	CHECKED BY EOMAHONY	DATE 2006/09/06	MOLEX INCORPORATED		
		ANGULAR ± 2 °		APPROVED BY EOMAHONY	DATE 2006/09/06	DOCUMENT NO. SD-85543-502	SHEET NO. 1 OF 1	
DRAFT WHERE APPLICABLE MUST REMAIN WITHIN DIMENSIONS		MATERIAL NO. SEE CHART		THIS DRAWING CONTAINS INFORMATION THAT IS PROPRIETARY TO MOLEX INCORPORATED AND SHOULD NOT BE USED WITHOUT WRITTEN PERMISSION				